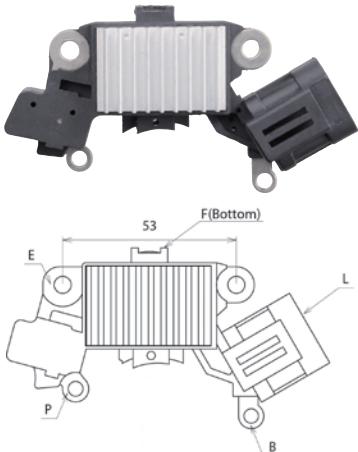

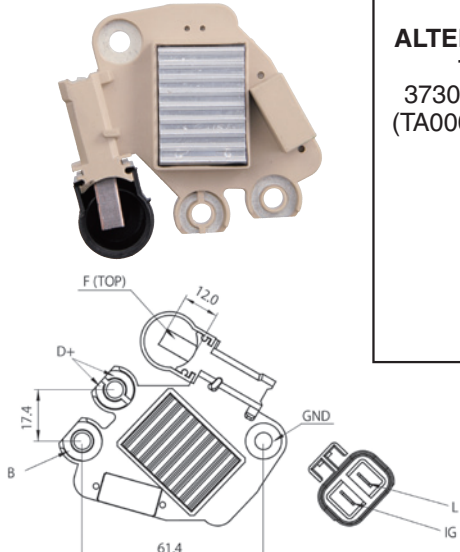

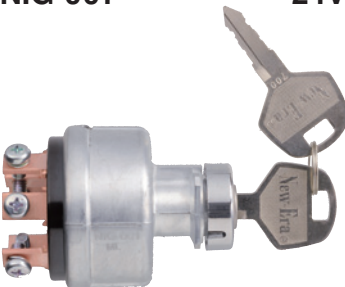
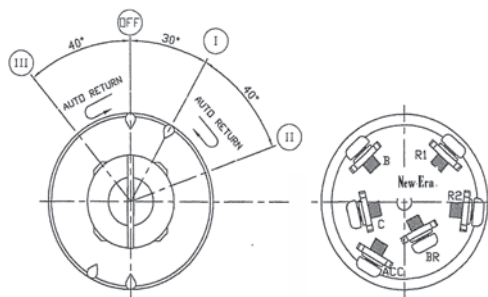
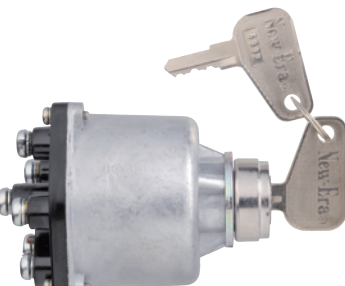
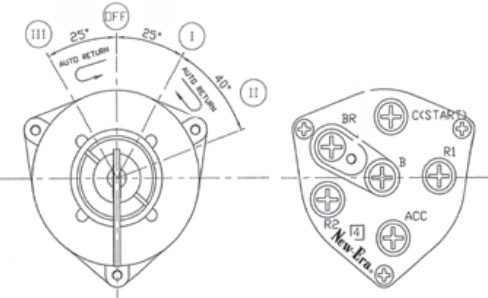



**NEW PRODUCTS NP-226**

Illustration	Ref. No.	Application	On Sale
<p><b>IVR-631 24V</b></p>  <p>200PCS./CARTON                  CARTON SIZE:                  55×30×45cm(0.07425m<sup>3</sup>)                  G/W:18.0kg</p>	<p>8-90840688-0                  (0-35719-0260)</p> <p><b>ALTERNATOR                  24V 50A</b>                  8-98013461-1                  (0-35000-4628)                  8-89013455-0                  (0-35000-4818)</p> <p><b>24V 60A</b>                  8-98013462-1                  (0-35000-4638)                  8-98013456-0                  (0-35000-4828)</p> <p><b>24V 90A</b>                  8-98013459-1                  (0-35000-8701)                  8-98013463-1                  (0-35000-8711)</p>	<p><b>ISUZU                  FORWARD</b></p> <p>F**34 (6HK1-TC)                  F**90 (4HK1-TC)</p> 	<p><b>MAY.'15</b></p> <p>'07~ '07~</p>
<p><b>IVR-421 12V</b></p>  <p>50PCS./CARTON                  CARTON SIZE:                  44×44×15cm(0.02904m<sup>3</sup>)                  G/W:6.0kg</p>	<p>37370-02550</p> <p><b>ALTERNATOR                  12V</b>                  37300-02550                  (TA000A55601)</p>	<p><b>KIA                  PICANTO                  MORNING                  VISTO</b></p> <p><b>HYUNDAI                  ATOS(ATOZ) PRIME</b></p> 	<p><b>MAY.'15</b></p>

<http://www.newera.co.jp/>

# NEW PRODUCTS

Illustration	Ref. No.	Application	On Sale																																			
<p><b>NIG-001</b> <span style="float: right;"><b>24V</b></span></p>  <p>20PCS./CARTON CARTON SIZE: 39×23×17.5cm(0.01570m³) G/W:7.2kg</p>	<p>ISC-20R SI-05 EN511000</p>	<p><b>UNIVERSAL TYPE</b> For BUS &amp; TRUCK</p>  <table border="1" style="margin: 10px auto; border-collapse: collapse; text-align: center;"> <thead> <tr> <th>P \ T</th> <th>B</th> <th>R1</th> <th>R2</th> <th>ACC</th> <th>BR</th> <th>C</th> </tr> </thead> <tbody> <tr> <td>III</td> <td>○</td> <td>○</td> <td>—</td> <td>○</td> <td>○</td> <td>—</td> </tr> <tr> <td>OFF</td> <td>—</td> <td>—</td> <td>—</td> <td>—</td> <td>—</td> <td>—</td> </tr> <tr> <td>I</td> <td>○</td> <td>—</td> <td>—</td> <td>○</td> <td>○</td> <td>—</td> </tr> <tr> <td>II</td> <td>○</td> <td>—</td> <td>○</td> <td>○</td> <td>○</td> <td>○</td> </tr> </tbody> </table>	P \ T	B	R1	R2	ACC	BR	C	III	○	○	—	○	○	—	OFF	—	—	—	—	—	—	I	○	—	—	○	○	—	II	○	—	○	○	○	○	<p>On Sale</p>
P \ T	B	R1	R2	ACC	BR	C																																
III	○	○	—	○	○	—																																
OFF	—	—	—	—	—	—																																
I	○	—	—	○	○	—																																
II	○	—	○	○	○	○																																
<p><b>NIG-002</b> <span style="float: right;"><b>24V</b></span></p>  <p>20PCS./CARTON CARTON SIZE: 39×23×17.5cm(0.01570m³) G/W:7.2kg</p>	<p>ISC-8 EN513000</p>	<p><b>UNIVERSAL TYPE</b> For BUS &amp; TRUCK</p>  <table border="1" style="margin: 10px auto; border-collapse: collapse; text-align: center;"> <thead> <tr> <th>P \ T</th> <th>B</th> <th>R1</th> <th>R2</th> <th>ACC</th> <th>BR</th> <th>C</th> </tr> </thead> <tbody> <tr> <td>III</td> <td>○</td> <td>○</td> <td>—</td> <td>—</td> <td>○</td> <td>—</td> </tr> <tr> <td>OFF</td> <td>—</td> <td>—</td> <td>—</td> <td>—</td> <td>—</td> <td>—</td> </tr> <tr> <td>I</td> <td>○</td> <td>—</td> <td>—</td> <td>○</td> <td>○</td> <td>—</td> </tr> <tr> <td>II</td> <td>○</td> <td>—</td> <td>○</td> <td>○</td> <td>○</td> <td>○</td> </tr> </tbody> </table>	P \ T	B	R1	R2	ACC	BR	C	III	○	○	—	—	○	—	OFF	—	—	—	—	—	—	I	○	—	—	○	○	—	II	○	—	○	○	○	○	<p>On Sale</p>
P \ T	B	R1	R2	ACC	BR	C																																
III	○	○	—	—	○	—																																
OFF	—	—	—	—	—	—																																
I	○	—	—	○	○	—																																
II	○	—	○	○	○	○																																
<p><b>FLS-101</b> <span style="float: right;"><b>24V</b></span></p>  <p>200PCS./CARTON CARTON SIZE: 53×28×40cm(0.05936m³) G/W:15.0kg</p>	<p>8-97360084-1 (066500-5651)</p>	<p><b>INDICATOR RELAY (FLASHER RELAY)</b> <b>ISUZU</b> ELF <span style="margin-left: 100px;">NKR,NPR</span></p>	<p>On Sale</p>																																			