

MK item / Interchange News

Date : AUGUST 9, 2017
No. 17 - 08

AUGUST NEW ITEM INFORMATION BRAKE PAD

MK No.	Application	Releasing Month (accepting order)	Quotation Month
D11385MH Made in Indonesia FMSI NO. D1829, D1856	HYUNDAI SONATA HYBRID 2000cc USA,CAN 15.02-	Aug. 2017	Aug. 2017
	HYUNDAI SONATA HYBRID 2000cc KOR 14.12-		
	HYUNDAI SONATA 2000cc, 2400cc ME,AUS 15.06-		
	KIA OPTIMA USA 15.09-		

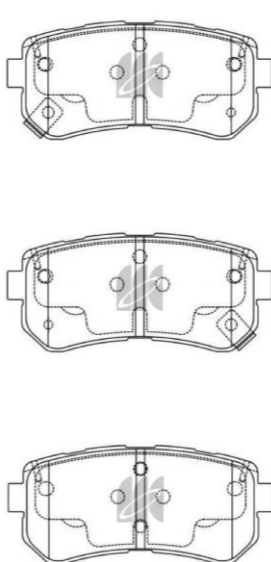
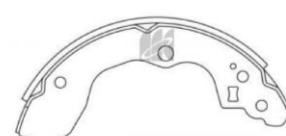
BRAKE SHOE

MK No.	Application	Releasing Month (accepting order)	Quotation Month
K9003 Made in Indonesia	SUZUKI ERTIGA ASIA 12 -	Aug. 2017	Aug. 2017
	SUZUKI ERTIGA IND 15.10-		
	SUZUKI S-CROSS IND 15.07-		

As for the following items, we are able to supply Indonesian products from receiving August 2017 order.

MK No.	Releasing Month (accepting order)	Quotation Month
D3142	Aug. 2017	Aug. 2017
K9983		

AUGUST NEW Item Drawing Information BRAKE PAD

	 <table border="1" style="margin: 10px auto;"> <thead> <tr> <th>a</th> <th>b</th> <th>c</th> <th>R</th> <th>Shoe Only No.</th> </tr> </thead> <tbody> <tr> <td>3.2</td> <td>2.3</td> <td>35.0</td> <td>110.0</td> <td>M9003</td> </tr> </tbody> </table>	a	b	c	R	Shoe Only No.	3.2	2.3	35.0	110.0	M9003
a	b	c	R	Shoe Only No.							
3.2	2.3	35.0	110.0	M9003							
<table border="1" style="display: inline-table; margin: 5px;"> <tr> <td>X: 93.0</td> <td>Y: 35.5</td> <td>Z: 14.5</td> </tr> </table>	X: 93.0	Y: 35.5	Z: 14.5								
X: 93.0	Y: 35.5	Z: 14.5									
D11385MH	K9003										

"Valuable information" Interchange information (Existing MK item)

MK No.	Application	Year
D11287MH	HYUNDAI H100 (2500cc) <EUR>	2006.10-
D11287MH	HYUNDAI PORTERII (2500cc) <KOR>	2006.10-
D11355MH	HYUNDAI TUCSON - CZECH PLANT (1600cc, 1700cc, 2000cc) <EUR>	2015.05-
D11373MH	HYUNDAI TUCSON - CZECH PLANT (1600cc, 1700cc, 2000cc) <EUR>	2015.05-
D2177M	TOYOTA LAND CRUISER GRJ79 (4000cc), HZJ71 (4200cc DIESEL), HZJ76 (4200cc DIESEL), HZJ78 (4200cc DIESEL), HZJ79 (4200cc DIESEL), VDJ76 (4500cc DIESEL TURBO), VDJ79 (4500cc DIESEL TURBO) <GEN-RHD>	2016.08-
D2177M	TOYOTA LAND CRUISER GRJ71 (4000cc), GRJ76 (4500cc), GRJ78 (4000cc), GRJ79 (4000cc), HZJ71 (4200cc DIESEL), HZJ76 (4200cc DIESEL), HZJ78 (4200cc DIESEL), HZJ79 (4200cc DIESEL) <GEN-LHD>	2016.08-
D2177M	TOYOTA LAND CRUISER VDJ76 (4500cc DIESEL TURBO), VDJ79 (4500cc DIESEL TURBO) <AUS>	2016.08-
D2177M	TOYOTA LAND CRUISER GRJ76 (4000cc), GRJ78 (4000cc), GRJ79 (4000cc), HZJ71 (4200cc DIESEL), HZJ76 (4200cc DIESEL), HZJ78 (4200cc DIESEL), HZJ79 (4200cc DIESEL) <GCC>	2016.08-
D2177M	TOYOTA LAND CRUISER VDJ76, VDJ78, VDJ79 (4500cc DIESEL TURBO) <GCC>	2017.01-
D3142	MAZDA CX-9 TC (2500cc) <GEN.SAU>	2016.03-
D3156	MAZDA 2 DL (1500cc) <GEN.ISR.SAU>	2015.01-
D3156	MAZDA 2 DL (1500cc) <VNM>	2015.06-
D3159	MAZDA 6 GL (2000cc, 2200cc DIESEL, 2500cc) <EUR>	2016.06-
D3159	MAZDA 6 WAGON GL (2000cc, 2200cc DIESEL, 2500cc) <EUR>	2016.06-
D5198M	HONDA BR-V (1500cc) <BRN>	2016 -
D5198M	HONDA BR-V (1500cc) <THA>	2016 -
D5214M	HONDA HR-V <IND>	2015 - 2016
D5214M	HONDA HR-V <THA>	2015 - 2016

MK item/Interchange News

Date : AUGUST 10, 2017
No. 17-08-ADD

NEW Regulation 90 approval Item (for EU market)

MK No.	Application	Approval No.
D2223	TOYOTA ALPHARD MNH10 03.12-08.04	E1 90R-02A0014/0053
D2223H	TOYOTA PREVIA ACR30, CLR30 00.02-06.01 LEXUS ES MCV30, MCV31 01.07-06.03	
D1336M	NISSAN ROGUE T32U 3ROW 13.10- NISSAN X-TRAIL T32 3ROW 14.04- INFINITI Q50 V37 13.05- INFINITI Q60 COUPE CV37 16.05- INFINITI QX50 J50 15.07-	E1 90R-02A0014/0054
D11239M	KIA CARNIVAL 2700cc, 2900cc 2005.10-	E1 90R-02A0014/0055
D11239MH	KIA SEDONA 3300cc (2WD) 2014.08- KIA SORENTO 2200cc, 2400cc 2014.10- KIA GRAND CARNIVAL 2200cc, 2900cc 2006.10-2014.04 HYUNDAI VERACRUZ 3000cc, 3800cc 2006.09-2013.04 HYUNDAI H-1 2400cc, 2500cc 2007.10- HYUNDAI IX55 3000cc, 3800cc 2008.09-2013.04 HYUNDAI GRAND STAREX 2400cc, 2500cc 2007.05-	
D7078M	SUBARU LEVORG VM4 2014.06- SUBARU LEGACY (SEDAN, OUTBACK) 2014.08- SUBARU OUTBACK (2500cc, 3600cc CVT) 2015 SUBARU WRX (2000cc CVT) 2015	E1 90R-02A0014/0056
D3171	MAZDA CX-5 KE (2000cc, 2200cc DIESEL, 2500cc) 14.12-	E1 90R-02A0014/0057