

MK ITEM / INTERCHANGE NEWS

Date : APRIL 12, 2018
No. 18 - 04

APRIL New Item Information

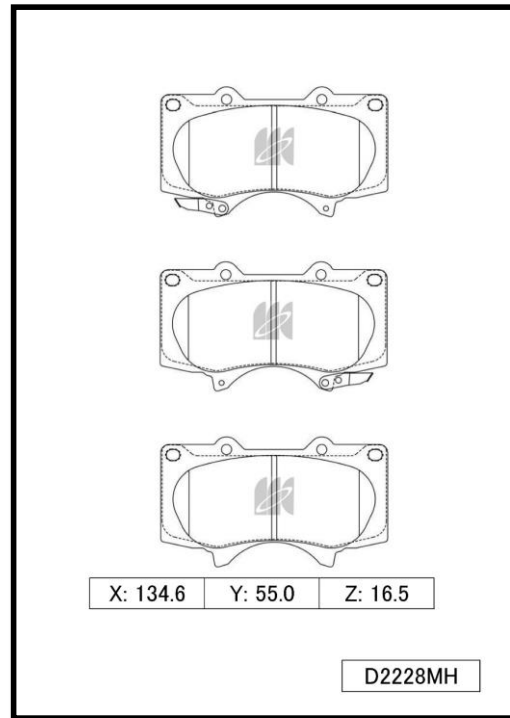
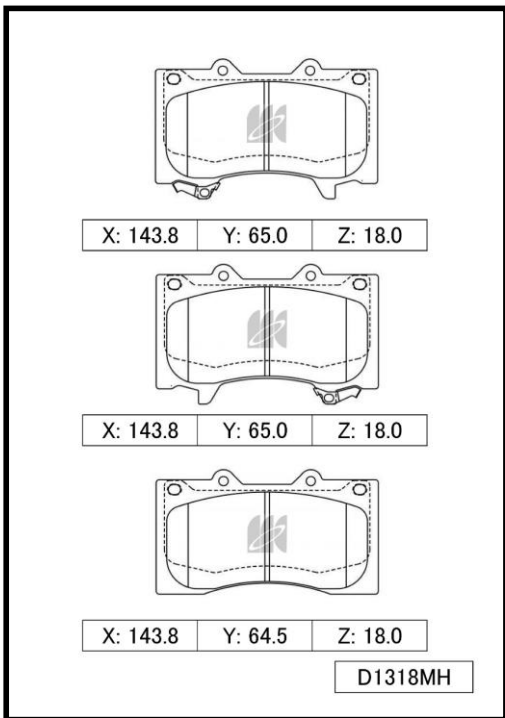
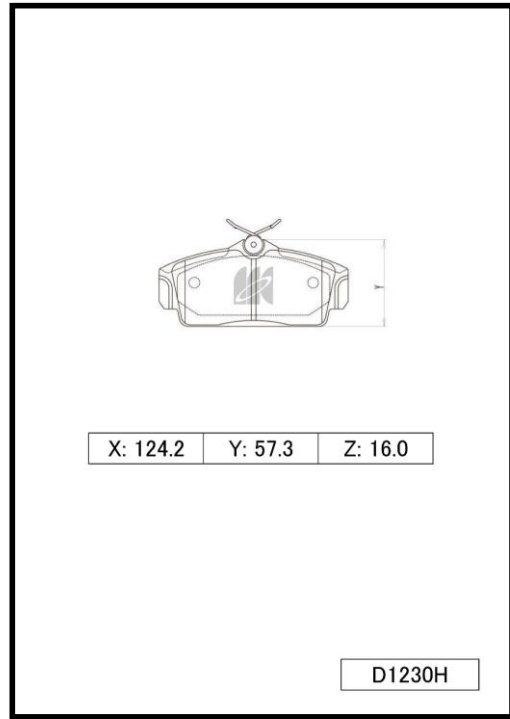
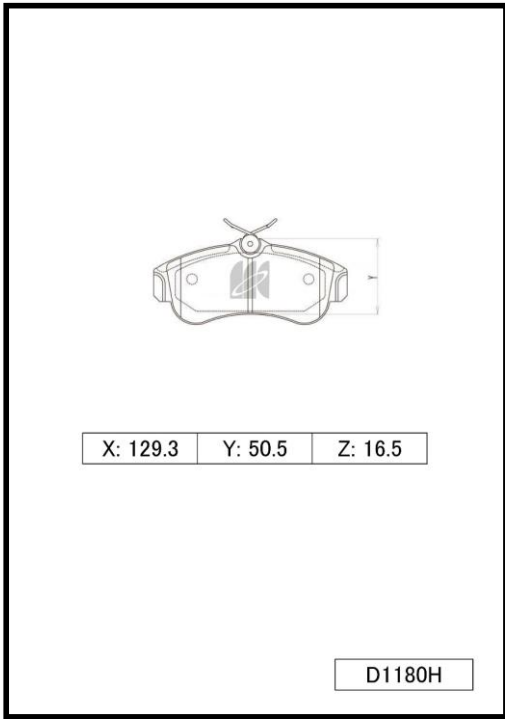
As for the MK No. * marks, we have more OE No. information.
Please check MK Kashiya web page, you can searched OE Numbers.
<https://www.s-mk.com/online/Account/Login.aspx>

BRAKE PAD

MK No.	Application	Releasing Month (accepting order)	Quotation Month
D1180H Made in Indonesia	NISSAN PRIMERA 1.6 PETROL 06/90- NISSAN PRIMERA 2.0 PETROL 01/90- NISSAN PRIMERA 2.0 DIESEL 01/91-12/96 NISSAN PRIMERA 2.0 DIESEL TURBO 09/96- NISSAN ALMERA 1.5 PETROL 02/00- NISSAN ALMERA 2.2 DIESEL TURBO 02/00- NISSAN PRIMERA 1.6 PETROL 05/93-08/99	APR. 2018	APR. 2018
D1230H Made in Indonesia FMSI NO. D1147	NISSAN Primera 1.6 petrol5-door hatchback 08/96- NISSAN Primera 1.6 petrol4-door saloon/sedan 08/96- NISSAN Primera 1.6 petrol5-door estate 08/96- NISSAN Primera 2.0 petrol5-door hatchback 08/96- NISSAN Primera 2.0 petrol4-door saloon/sedan 08/96- NISSAN Primera 2.0 petrol5-door estate 08/96- NISSAN Primera 1.8 petrol5-door hatchback 09/99- NISSAN Primera 1.8 petrol4-door saloon/sedan 09/99- NISSAN Primera 1.8 petrol5-door estate 09/99-	APR. 2018	APR. 2018
D1318MH Made in Indonesia FMSI NO. D1748	NISSAN PATROL Y62 10.1- NISSAN SAFARI Y62 12.11- INFINITI QX80 Z62 14.11-	APR. 2018	APR. 2018
D2228MH * Made in Japan FMSI NO. D976	TOYOTA Land Cruiser 4.0 Petrol 09/02- TOYOTA Land Cruiser 3.0 Diesel Turbo 09/02- TOYOTA FJ Cruiser 4.0 GSJ15 07.07- TOYOTA Fortuner KUN50.TGN51 05.01- TOYOTA 4-Runner GRN210 02.11- TOYOTA Hilux KUN15.TGN15 04.08- LEXUS GX URJ150 09.11- MITSUBISHI Pajero.Montero V97W 06.08-	APR. 2018	APR. 2018
D2278MH Made in Japan FMSI NO. D1303	TOYOTA Landcruiser 4.5 Diesel Turbo 09/07- TOYOTA Landcruiser 4.7 Petrol 09/07- TOYOTA Sequoia UCK60L 4.7 07.11- TOYOTA Tundra GSK50.UCK50 06.11- TOYOTA Platinum USK60 08.11- LEXUS LX URJ201.VDJ201 07.11-	APR. 2018	APR. 2018

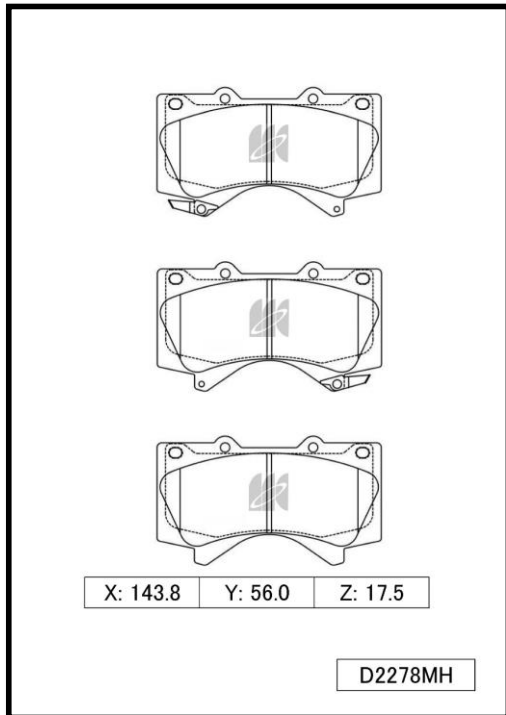
APRIL New Item Drawing Information

BRAKE PAD



APRIL New Item Drawing Information

BRAKE PAD



"Valuable information" Interchange information (Existing MK item)

MK No.	Application	Year
D11230MH	KIA K7 (3000cc) <KOR>	2009.11-2012.11
D11230MH	KIA K7 HYBRID (2400cc) <KOR>	2013.12-2016.05
D11274MH	KIA MORNING (1000cc) <KOR>	2015.01-2015.03
D11283MH	KIA K9 (3300cc) <KOR>	2012.03-
D11352MH	HYUNDAI CERATO,FORTE (1600cc,2000cc 2WD) <EUR>	2016.03-
D11352MH	HYUNDAI FORTE MEXICO PLANT (2000cc 2WD) <EUR>	2016.05-
D11352MH	HYUNADI FORTE,FORTE5 (1600cc,2000cc) <USA,CAN>	2016.05-
D11352MH	HYUNDAI FORTE5,FORTE KOUP (1600cc,2000cc) <CAN>	2016.08-
D11352MH	HYUNDAI FORTE5,FORTE KOUP (1600cc,2000cc) <USA>	2016.08-
D11352MH	KIA SOUL (1600cc,2000cc) <USA,CAN>	2016.08-
D11352MH	KIA CERATO,CERATO KOUP (1600cc,2000cc) <ME>	2016.02-
D11352MH	KIA CERATO,CERATO KOUP,FORTE (1600cc,2000cc) <GEN>	2016.02-
D11352MH	KIA CERATO (2000cc) <AUS>	2016.03-
D11352MH	KIA CERATO MEXCO PLANT (1600cc,2000cc) <GEN>	2016.07-
D11352MH	KIA K3 (1600cc) <KOR>	2015.11-
D11352MH	KIA SOUL (1600cc) <KOR>	2016.05-
D11352MH	KIA SOUL (2000cc) <AUS>	2016.08-
D11352MH	KIA SOUL (1600cc,2000cc) <GEN,ME>	2016.08-
D11355MH	HYUNDAI AZERA (3500cc) <ME>	2017.03-
D11355MH	HYUNDAI GRANDEUR HYBRID (2400cc) <KOR>	2017.03-
D11355MH	HYUNDAI GRANDEUR IG (2200cc,2400cc,3000cc,3300cc) <KOR>	2016.10-
D11355MH	KIA K7 (2200cc,2400cc,3000cc,3000cc) <KOR>	2015.12-
D11355MH	KIA K7 HYBRID (2400cc) <KOR>	2016.11-
D11379MH	HYUNDAI CERATO,FORTE (1600cc,2000cc 2WD) <EUR>	2016.03-
D11379MH	HYUNDAI FORTE MEXICO PLANT (2000cc 2WD) <EUR>	2016.05-
D11379MH	HYUNADI FORTE,FORTE5 (1600cc,2000cc) <USA,CAN>	2016.05-
D11379MH	HYUNDAI FORTE5,FORTE KOUP (1600cc,2000cc) <CAN>	2016.08-
D11379MH	HYUNDAI FORTE5,FORTE KOUP (1600cc,2000cc) <USA>	2016.08-
D11379MH	KIA CERATO,CERATO KOUP (1600cc,2000cc) <ME>	2016.02-
D11379MH	KIA CERATO,CERATO KOUP,FORTE (1600cc,2000cc) <GEN>	2016.02-
D11379MH	KIA CERATO (200cc) <AUS>	2016.03-
D11379MH	KIA CERATO MEXCO PLANT (1600cc,2000cc) <GEN>	2016.07-
D11379MH	KIA K3 (1600cc DISC 15INCH) <KOR>	2015.11-

"Valuable information" Interchange information (Existing MK item)

MK No.	Application	Year
D11382MH	HYUNADI FORTE,FORTE5 (1600cc,2000cc) <USA,CAN>	2016.05-
D11382MH	HYUNDAI FORTE5,FORTE KOUP (1600cc,2000cc) <USA>	2016.08-
D11382MH	KIA CERATO,CERATO KOUP (1600cc,2000cc) <ME>	2016.02-
D11382MH	KIA K3 (1600cc DISC 16INCH) <KOR>	2015.11-
D11394MH	HYUNDAI MOHAVE (3000cc 4WD) <EUR>	2016.11-
D11394MH	KIA MOHAVE (3800cc) <ME>	2016.02-
D2269H	TOYOTA CAMRY AXVA70 (2500cc) <USA>	2017.03-
D2271MH	TOYOTA YARIS KSP130 (1000cc) <EUR>	2017.03-
D2349	TOYOTA CAMRY,HYBRD ASV70,AXVA70 (2500cc) <EUR>	2017.09-
D2349	TOYOTA CAMRY GSV70 (3500cc) <USA>	2017.06-
D2349	TOYOTA CAMRY HYBRID AXVH70,71 (2500cc) <USA>	2017.06-
D7060M	SUBARU LEGACY,OUTBACK (2500cc) <EUR>	2014.08-
D7060M	SUBARU LEGACY,OUTBACK (2000cc,2500cc,3600cc) <EUR>	2014.08-