

MK ITEM / INTERCHANGE NEWS

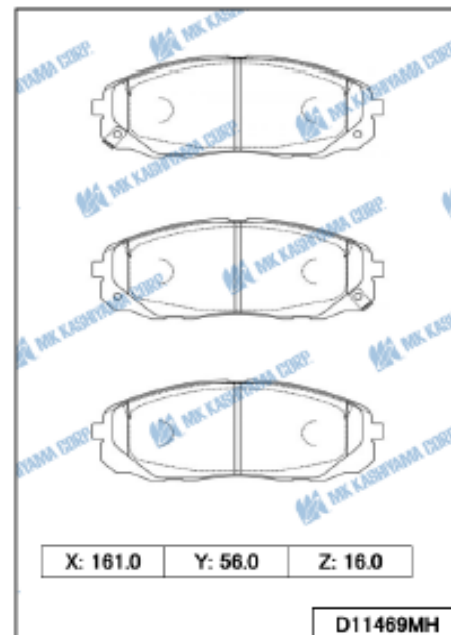
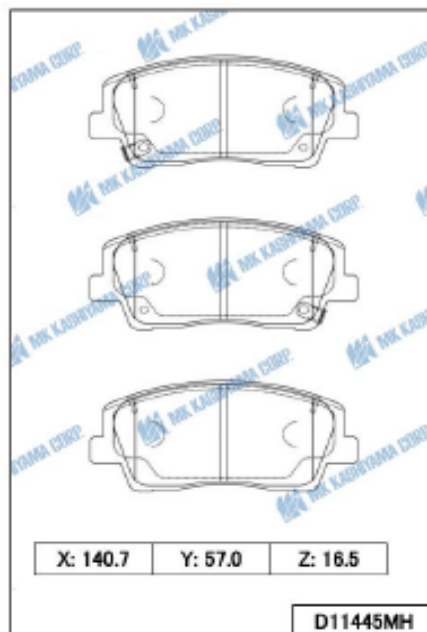
January New Item Information

BRAKE PAD

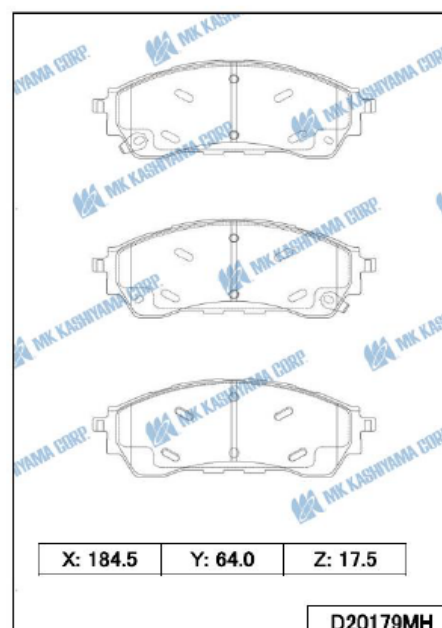
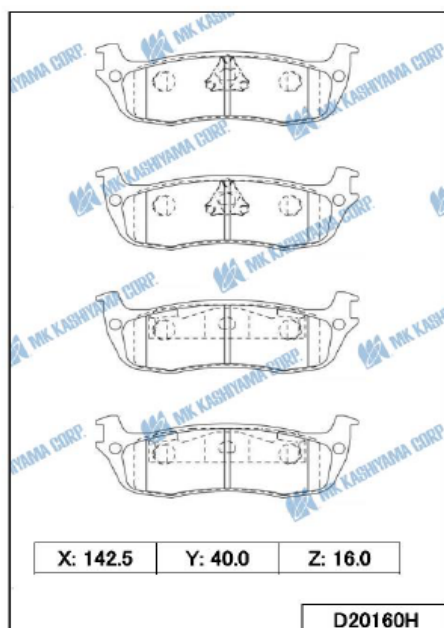
MK No.	Position	Application	Quotation Month
D1144SMH	Front	Kia STINGER (2000cc, 2200cc, 3300cc) 17.01- <EUR,USA,KOR,AUS,GEN,ME>	January. 2021
Made in Indonesia FMSI No:D2117		GENESIS G70 (2000cc, 3300cc) 17.08- <USA,CAN,KOR,ME,AUS>	
D11469MH	Front	Kia CARNIVAL, SEDONA (2200cc, 3300cc 2WD) 18.03- <GEN,ME>	January. 2021
D20160H	Rear	Lincoln BLACKWOOD (5.4L V8) 2002-2013 <USA>	January. 2021
Made in Indonesia FMSI No:D711,D879		Lincoln TOWN CAR (4.6L V8) 2004-2011 <USA>	
D20179MH	Front	Ford EVEREST (2.2L Diesel Turbo, 3.2L Diesel Turbo) 2015- <VNM>	January. 2021

January New Item Drawing Information

BRAKE PAD



MK ITEM / INTERCHANGE NEWS



Valuable Information

Newly start Item with Shim (Existing MK item)

MK No.	Position	Application	Quotation Month
D0021H Made in Japan Made in Indonesia FMSI No:D458	Rear	Mazda 323, 323F BG 89.07 ~ 94.06 <UK,USA,CAN,GEN> Mazda MIATA NA 89 ~ <EUR,USA> Mazda MX-5 NA 89.08 ~ <UK,EUR,USA,BRA,AUS> Daihatsu APPLAUSE A101, A111 89.06 ~ 00.05 <EUR,GEN,AUS>	January. 2021
D1110MH Made in Japan Made in Indonesia FMSI No:D653	Front	Nissan MAXIMA HLJ30, J30,A32 88.08 ~ 00.01 <EUR,USA,CAN,GEN,AUS> Nissan ALTIMA L30 (2400cc) 97.06 ~ 01.08 <USA,CAN> Nissan SENTRA B15U,B15X 00.01 ~ 06.09 <USA,CAN,MEX> Nissan STANZA, STANZA ALTIMA L30, U13U 92.06 ~ 97.05 <USA,CAN> Infiniti G20 P11 98.06 ~ 01.12 <USA,CAN> Infiniti I30 A32 94.02 ~ 99.06 <USA,CAN>	January. 2021
D11201MH Made in Indonesia FMSI No:D1297	Rear	Hyundai H-1 (2400cc, 2500cc) 01.07 ~ 07.05 <EUR,GEN,KOR> Hyunda SANTA FE (2000cc, 2200cc, 2400cc,2700cc) 05.11 ~ 09.09 <EUR,CIS,USA>	January. 2021

MK ITEM / INTERCHANGE NEWS

D1260H Made in Japan Made in Indonesia	Front	Nissan X-TRAIL T30 01.06 ~ 13.07 <EUR,MEX,GEN,AFC,GCC,IND,LA,ME,ZAF>	January. 2021
D2023H Made in Japan Made in Indonesia FMSI No:D241,D242 D302	Front	Toyota CAMRY CV10 SERIES, SV10 SERIES 82.10 ~ 86.10 <EUR,USA,CAN,GEN> Toyota CARINA II AT151, CT150, ST150 83.10 ~ <EUR,GEN> Toyota CELICA AT160, ST162 85.08 ~ 89.08 <EUR,USA,CAN,GEN> Toyota COROLLA AE80, AE82, CE80, EE80 83.05 ~ 88.07 <EUR,USA,CAN,GEN> Toyota CORONA AT151, CT150, ST150 83.10 ~ 87.11 <EUR,GEN> Toyota MR2 AW11,SW21 84.11 ~ 95.06 <EUR,USA,CAN,GEN>	January. 2021
D2064H Made in Japan Made in Indonesia FMSI No:D1344	Front	Toyota DYNA KDY200 SERIES 01.07 ~ 15.02 <EUR,GEN,AUS,ZAF> Toyota HIACE LH56, LH66, YH56, YH66 82.12 ~ 87.08 <EUR,GEN,ZAF>	January. 2021
D2114MH Made in Japan Made in Indonesia FMSI No:D685	Rear	Toyota AVENSIS ZZT220 SERIES 97.10 ~ 03.01 <EUR> Toyota CAMRY SV20 SERIES, VZV21 89.08 ~ 91.06 <EUR,USA,CAN,GEN> Toyota CARINA II AT170 SERIES, CT171, ST171 91.06 ~ 92.03 <EUR> Toyota CELICA ST182, ST184,ST185 91.08 ~ 93.11 <EUR,USA,CAN,GEN> Toyota CORONA AT190, CT190, ST190, 191 92.03 ~ 98.05 <EUR,GEN> Lexus RX300 MCU15 00.07 ~ 03.02 <EUR,USA,CAN>	January. 2021
D2187H Made in Japan Made in Indonesia FMSI No:D835	Rear	Toyota CAMRY MCV20,SXV20 96.08 ~ 01.09 <EUR,USA,CAN,GEN> Toyota CAMRY ACV36, MCV36 02.08 ~ 06.06 <GCC,ZAF> Toyota COROLLA ZZE121,ZZ122 01.03 ~ 08.08 <TWN> Lexus ES300 MCV20 99.08 ~ 01.07 <USA,CAN,AUS> Scion Tc ANT10 04.05 ~ 10.07 <USA,CAN>	January. 2021
D2215MH Made in Japan FMSI No:D799	Front	Toyota HILUX KUN25,KUN26 05.07 ~ 15.12 <EUR,MEX,GE,AUS,GCC,LA,THA,ZAF> Toyota TACOMA RZN191,RZN196 98.07 ~ 04.09 <USA,CAN> Toyota FORTUNER KUN60, TGN61 05.01 ~ 12.04 <IDN,MYS,PHL,ZAF,THA>	January. 2021
D2249H Made in Japan Made in Indonesia FMSI No:D1005	Front	Toyota HIGHLANDER HYBRID MHU23,MHU28 05.03 ~ 07.05 <USA,CAN> Lexus RX MCU35,GSU35,MHU38 03.02 ~ 08.12 <EUR,USA,CAN,AUS,GCC>	January. 2021

MK ITEM / INTERCHANGE NEWS

D2268H Made in Japan Made in Indonesia FMSI No:D1211 D2165	Front	<p>Toyota AURIS ZWE150,ZWE186 07.02 ~ 15.06 <EUR,ZAF></p> <p>Toyota MIRAI JPD10 (FCV) 15.06 ~ <EUR,USA,CAN></p> <p>Toyota PRIUS +, PRIUS A, PRIUS V ZVW40 12.03 ~ <EUR,AUS></p> <p>Toyota RAV4 ACA30 SERIES, ALA30 SERIES 05.11 ~ 12.12 <EUR,USA,CAN,GEN,GCC></p> <p>Toyota MATRIX AZE141,144,146 08.01 ~ 14.06 <USA,CAN></p> <p>Toyota E'Z ZGR20, ZGR21, ZGR22 11.06 ~ 16.12 <GEN></p>	January. 2021
D2270H Made in Japan Made in Indonesia FMSI No:D1222 D1293	Front	<p>Toyota AVALON GSX30L,AVX40 07.07 ~ 18.04 <USA,GEN,GCC></p> <p>Toyota AURION GSV40,GSV50 06.10 ~ 17.10 <AUS,GCC></p> <p>Tyota CAMRY ACV40, GSV40,ACV51,ASV50 06.01 ~ 18.03 <EUR,RUS,USA,CAN,CHN></p> <p>Lexus ES ASV60,AVV60,ASV60 12.06 ~ <EUR,USA,CAN,CHN,GCC,GEN,PHL,AUS></p>	January. 2021
D3134H Made in Japan Made in Indonesia FMSI No:D1179	Front	<p>Mazda MX-5,MIATA NC (1800cc, 2000cc) 05.05 ~ <EUR,USA,CAN,MEX,SAU,CHN></p>	January. 2021
D4057MH Made in Japan Made in Indonesia FMSI No:D1677	Front	<p>Isuzu D-MAX, RODEO TFR, TFS (2499cc, 2999cc) 02.04 ~ <EUR,THA,GEN,ME,IND></p> <p>Isuzu MU-7, ALTEERRA UCR, UCS (3000cc) 04.11 ~ <GEN,THA,IND></p> <p>Isuzu MU-X UCR, UCS (2500cc, 3000cc) 13.10 ~ <GEN,THA,IDN,MYS,ME,THA,CHN,ME></p>	January. 2021
D5190H Made in Indonesia FMSI No:D1281	Rear	<p>Honda ODYSSEY(3500cc) 2011-2017 <EUR,USA,GEN,PHL></p> <p>Honda PILOT(3500cc) 2009-2011 <EUR,ITA,USA></p> <p>Acura MDX (3500cc,3700cc) 2007-2013 <USA,CHN></p> <p>Acura ZDX (3700cc) 2010-2013 <USA></p> <p>Isuzu MU-X UCR, UCS (2500cc, 3000cc) 13.10 ~ <GEN,THA,IDN,MYS,ME,THA,CHN,ME></p>	January. 2021
D6054MH Made in Japan Made in Indonesia FMSI No:D567	Rear	<p>Mitsubishi MONTERO V2#,V4#,V6#,V7# 90.12 ~ 06.12 <EUR,USA,GEN,GCC,TWN,ZAF></p> <p>Mitsubishi PAJERO V2#,V4#,V6# 90.12 ~ 04.04 <EUR,DEU,CIS,GEN,GCC,TWN,ZAF></p> <p>Mitsubishi SPACE GEAR PD3W,PD4W, PD5W 94.06 ~ 01.03 <EUR,GEN,HKG></p> <p>Mitsubishi L400 PD3W,PD4W 94.06 ~ 05.06 <CHN,GEN,HKG></p>	January. 2021

MK ITEM / INTERCHANGE NEWS


Interchange information (Existing MK item)

MK No.	Position	Application	Year
K2398	Rear	DAIHATSU GRAN MAX S403 (1500cc) <BRN,MLT>	2020.06-
D2356H	Front	TOYOTA CAMRY <USA>	2020-
D3185MH	Rear	MAZDA 3 <USA>	2019-2020
D11427MH	Front	HYUNDAI SANTA FE N <NZL>	2020-

New Regulation 90 Approval Item (For EU Market)

MK No.	Position	Application	Approval No.
K11158	Rear	Hyundai ELANTRA, LANTRA (1.5L,1.6L,1.8L) 90-95 <EUR>	02B01611/54143
K11161	Rear	Kia SEPHIA 93-00.06 <EUR>	02B01611/54143
K1122	Rear	Nissan SUNNY TRUCK B20, 120 66 ~ 89.10 <JPN>	02B01611/54143
K1149	Rear	Nissan SUNNY B310 78.01 ~ 82 <EUR>	02B01611/54143
K1167	Rear	Nissan PRAIRIE M10 83.01 ~ 88.10 <EUR>	02B01611/54143
K1196	Rear	Nissan BLUEBIRD SYLPHY U13 91.09 ~ 96.11 <JPN>	02B01611/54143
K1247	Rear	Nissan ALMERA N16E 00.02 ~ 06.11 <EUR>	02B01611/54143
K2203	Rear	Toyota COROLLA KE70 79.08 ~ 87.07 <EUR>	02B01611/54143
K2288	Rear	Toyota COROLLA AE80 83.05 ~ 88.07 <EUR>	02B01611/54143
K2367	Rear	Toyota AVANZA 03.12 ~ <GEN>	02B01611/54143
K5516	Rear	Honda ACCORD 4DOOR 82-85 <EUR>	02B01611/54143
K6636	Rear	Mitsubishi COLT A171 80 ~ <EUR>	02B01611/54143
K6669	Rear	Mitsubishi GALANT E11A 84.05 ~ 87.11 <EUR>	02B01611/54143
K2392	Parking	Toyota RAV4 SXA10 SERIES 94.04 ~ 00.08 <EUR>	02B01611/54144
K4443	Parking	Isuzu ELF NPR, NQR 98.12 ~ 02 <EUR>	02B01611/54144


New MK Production information



Anti-Noise Brake Grease

It is Noise reduction Silicon Grease.
It is special blend that outstanding of
Heat-resistant and weatherability.
It helps to keep low noise occurrence.

Origin : Made in Japan
Quotation Month : January 2021



If you have query, please do not hesitate to ask us.

