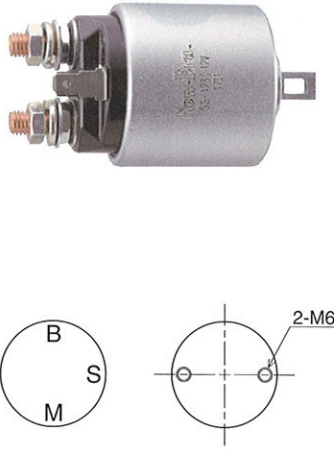

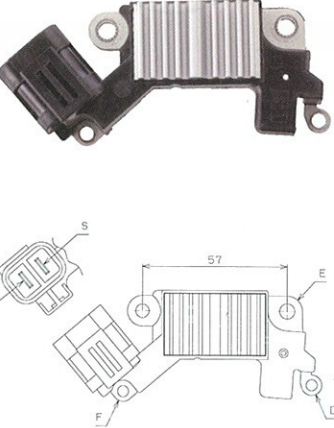



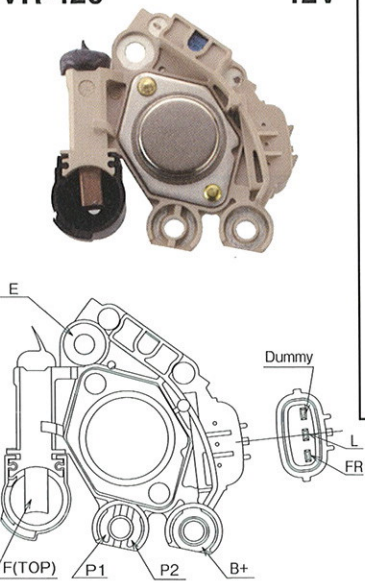

**NEW PRODUCTS NP-209**

| Illustration  | Ref. No.  | Application  | On Sale         |
|---|---|--|-----------------|
| <p><b>SS-1230</b>      <b>12V</b></p>  <p>40PCS./CARTON<br/>                 CARTON SIZE:<br/>                 30×27×25cm(0.02025m<sup>3</sup>)<br/>                 G/W:26.0kg</p>   | <p>8-97365923-1</p> <p><b>STARTER</b><br/> <b>12V 2.3kw</b><br/>                 8-98028198-0<br/>                 8-97365824-0</p> | <p><b>ISUZU</b><br/>                 D-MAX      2.5      4JA1      '02~'06<br/>                                  3.0      4JH1      '02~'06<br/> <b>RODEO</b>    2.5      4JA1      '02~'06<br/>                                  3.0      4JH1      '02~'06</p>  | <b>JUL. '13</b> |
| <p><b>IVR-419</b>      <b>12V</b></p>  <p>200PCS./CARTON<br/>                 CARTON SIZE:<br/>                 55×30×45cm(0.07425m<sup>3</sup>)<br/>                 G/W:17.0kg</p> | <p>37370-27011</p> <p><b>ALTERNATOR</b><br/> <b>12V</b><br/>                 37300-27013</p>  | <p><b>HYUNDAI</b><br/>                 SANTA FE</p> <p><b>KIA</b><br/>                 BONGO III</p>   | <b>MAY.'13</b>  |

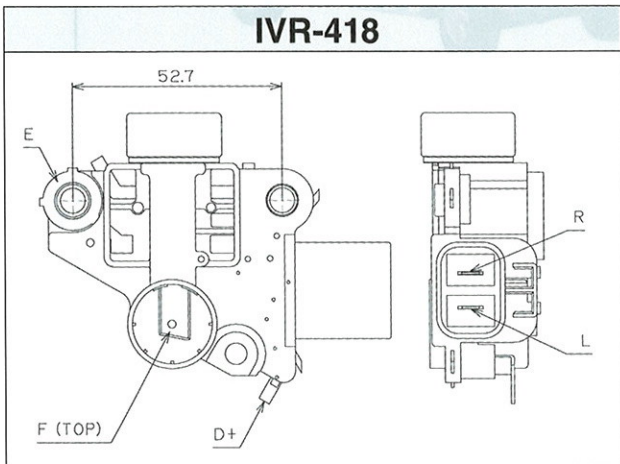
<http://www.newera.co.jp/>



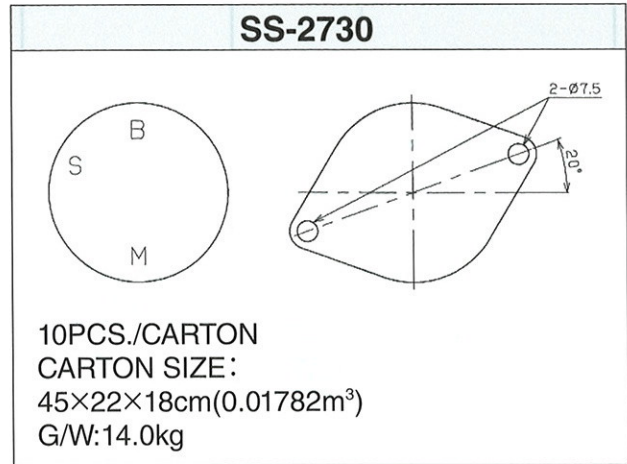
# NEW PRODUCTS

| Illustration   | Ref. No.   | Application  | On Sale         |
|--|--|--|-----------------|
| <p><b>IVR-420</b>      <b>12V</b></p>  <p>200PCS./CARTON<br/>CARTON SIZE:<br/>55×30×45cm(0.07425m<sup>3</sup>)<br/>G/W:17.0kg</p> | <p>37370-25100<br/>37370-25201</p> <p><b>ALTERNATOR</b><br/><b>12V</b><br/>37300-25201</p> | <p><b>HYUNDAI</b><br/>SONATA(NF)      '04~</p> <p><b>KIA</b><br/>CARENS</p>  | <b>JUL. '13</b> |

## DRAWING



Ref: Communication Site No.399(FEB.2013)



Ref: Communication Site No.399(FEB.2013)

## CORRECTION

