


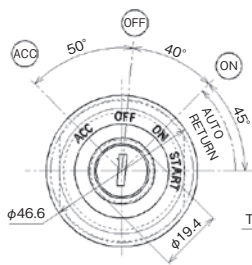


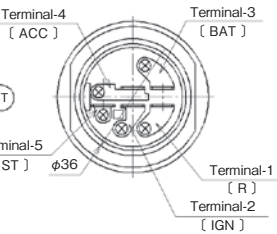
# NEW PRODUCTS

New-Era No.	Ref. No.	Car Maker	On Sale
<b>NIG-005</b>	25150-B5000 26150-A4600	<b>UNIVERSAL TYPE</b>	<b>JUN.'16</b>

**12V**







**CIRCUIT**

P	T	1	2	3	4	5
		R	IGN	BAT	ACC	ST
ACC				○—○		
OFF						
ON			○—○—○			
START		○—○—○				○

## WE ARE PLANNING TO DEVELOP THE IG COILS

①	<b>NISSAN</b>	22448-8U715
②	<b>NISSAN</b>	22448-1HC0A
③	<b>NISSAN</b>	22448-1KT0A
④	<b>NISSAN</b>	22448-31U06, 22448-31U16
⑤	<b>NISSAN</b>	22448-31U00, 22448-31U01, 22448-31U11
⑥	<b>MAZDA</b>	ZL01-18-100, ZL01-18-100A, ZZY1-18-100, ZL01-18-100B
⑦	<b>MAZDA</b>	ZJ01-18-100A
⑧	<b>MAZDA</b>	FFY1-18-100, FT85-15-100C, FB85-18-100C
⑨	<b>HONDA</b>	30520-P8E-A01, 30520-P8F-A01, 30520-P8F-A02, 30520-PKG-A01, 30520-PVF-A01, 30520-RCA-A02
⑩	<b>HONDA</b>	30521-RBJ-S01
⑪	<b>DAIHATSU</b>	19070-B10210

## DRAWING

