

MK item / Interchange News

Date : APRIL 13, 2017
No. 17 - 04

APRIL NEW ITEM INFORMATION

As for the MK No. * marks, we have more OE No. information.
Please e-mail to the following address If you want to know the more information.
[e-mail address : mki@mkg.co.jp](mailto:mki@mkg.co.jp)

In another way to find OE No. please use the Product Search in the MK Kashiya web page.
<http://www.mkg.co.jp/global/en/product/search-by-part-number.html>

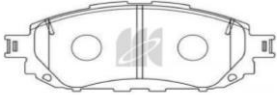
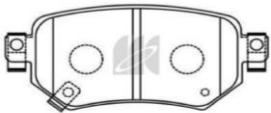
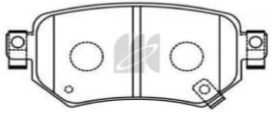
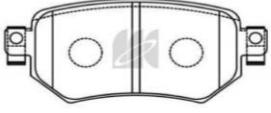
BRAKE PAD

MK No.	Application	Releasing Month (accepting order)	Quotation Month
D2354 Made in Indonesia FMSI NO. D2006	TOYOTA HILUX GUN112 GCC, THA 15.05-	APR. 2017	APR. 2017
	TOYOTA HILUX GUN122 GEN 15.05-		
	TOYOTA HILUX KUN112 IDN 15.05-		
	TOYOTA HILUX GUN122 PHL 15.05-		
	TOYOTA HILUX GGN120 AUS 15.05-		
	TOYOTA HILUX GUN122 ZAF 16.01-		
	TOYOTA HILUX KUN122 PAK 16.10-		
	TOYOTA INNOVA TGN140 GEN-RHD 15.11-		
	TOYOTA INNOVA GUN142 GCC, IDN, THA 15.11-		
	TOYOTA INNOVA TGN141 LA 15.11-		
	TOYOTA INNOVA TGN140 VNM 16.07-		
	TOYOTA INNOVA (PHILIPPINES PRODUCT) GUN143 PHL 16.04-		
TOYOTA INNOVA (INDONESIA PRODUCT) GUN143 PHL 16.08-			
D3172M Made in Japan FMSI NO. D1874	MAZDA MAZDA 6 WAGON GL EUR 16.06-	APR. 2017	APR. 2017
	MAZDA MAZDA 6 WAGON GJ GCC, ISR 12.10-		
	MAZDA MAZDA 6 GL EUR 16.06-		
	MAZDA MX-5 ND EUR 15.05-		
D11091MH * Made in Indonesia FMSI NO. D440 FMSI NO. D497	HYUNDAI ELANTRA, LANTRA 1.5L EUR, CIS 93.12 - 95.07	APR. 2017	APR. 2017
	HYUNDAI ELANTRA, LANTRA EUR, CIS 95 - 00.07		
	HYUNDAI ELANTRA 1.5L GEN, ME 93.12 - 95.07		
	HYUNDAI ELANTRA 1.5L GEN, ME 96 - 00.05		
	HYUNDAI ELANTRA 1.5L KOR 93.05-		
	HYUNDAI AVANTE 1.5L, 1.8L KOR 96 - 00.04		
	HYUNDAI ACCENT EUR, CIS, USA, CAN, GEN, ME, KOR 95-99		
	HYUNDAI ACCENT, VERNA 1.5L, 1.6L EUR, CIS, USA, CAN 99.06-06.03		
	HYUNDAI ACCENT 1.5L, 1.6L IND 99-07.02		
	HYUNDAI ACCENT 1.3L, 1.5L, 1.6L ME 99.06-06.03		
	HYUNDAI ACCENT-TURKEY PLANT 1.3L, 1.5L, 1.6L RUS 00.01-06.12		
	HYUNDAI ACCENT GEN, ME 00-		
	HYUNDAI ACCENT-INDIA PLANT 1.5L ME 07.02-15.08-		

MK No.	Application	Releasing Month (accepting order)	Quotation Month
D11091MH * Made in Indonesia FMSI NO. D440 FMSI NO. D497	HYUNDAI VERNA 1.3L,1.5L KOR 99.06-06.03	APR. 2017	APR. 2017
	HYUNDAI VERNA 1.5L,1.6L MEX 03.10-06.03		
	HYUNDAI GETZ 1.1L,1.3L,1.4L EUR,CIS,GEN,AUS,ME 02.05-06.12		
	HYUNDAI GETZ 1.1L,1.3L,1.4L EUR,GEN,AUS,ME 06.11-11.01		
	HYUNDAI I20 GEN 12.04-		
	HYUNDAI I20 1.2L,1.4L IND 08.12-12.03		
	HYUNDAI EXCEL 1.5L USA,CAN 90-94		
	HYUNDAI SCOUPE EUR,CIS,USA,CAN,CAN,AUS,ME 90-95.03		
	HYUNDAI AVANTE 1.5L,1.8L KORE 96-00.04		
	HYUNDAI CLICK 1.4L-1.5L KOR 02.05-11.01		
	HYUNDAI TB 1.4L GEN,JPN 02.09-08.07		
D11352MH Made in Indonesia	HYUNDAI I30 1.6L GEN,AUS,ME 12.03-	APR. 2017	APR. 2017
	HYUNDAI I30 1.6L,2.0L KOR 11.10-14.12		
	HYUNDAI ELANTRA GT (I30) 1.8L,2.0L USA 12.04-14.12		
	HYUNDAI ELANTRA GT 1.8L,2.0L CAN 12.05-15.01		
	HYUNDAI ELANTRA GT 2.0L CAN 15.01-		
	HYUNDAI I30 ELANTRA 1.6L, 1.8L GEN 12.10-14.12		
	HYUNDAI SONATA HYBRID 2.0L KOR 14.12-		
	HYUNDAI SONATA HYBRID 2.0L USA,CAN 15.02-		
	HYUNDAI VELOSTER 1.6L USA,CAN,GEN,AUS,ME,KOR 15.01-		
	KIA CARENS EUR 12.12-		
	KIA CARENS, RONDO 1.6L,1.7L,2.0L GEN,ME 12.12-		
	KIA CARENS KOR 1.7L,2.0L 13.02-		
	KIA RONDO 2.0L CAN,AUS 13.03-		
KIA OPTIMA USA 15.09-			

APRIL NEW Item Drawing Information

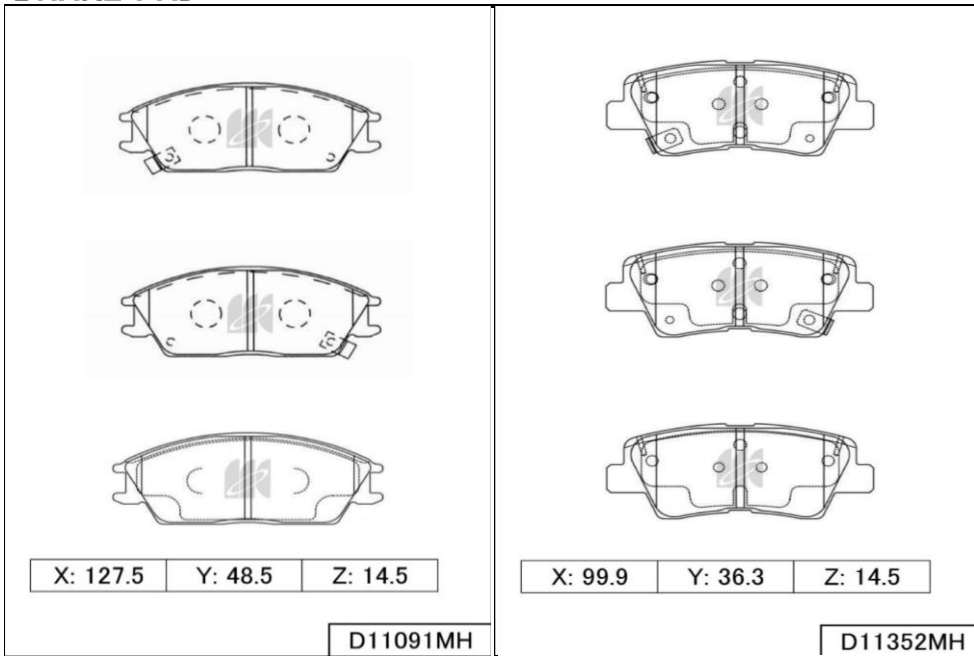
BRAKE PAD

							
							
<table border="1"> <tr> <td>X: 144.8</td> <td>Y: 53.4</td> <td>Z: 15.5</td> </tr> </table>	X: 144.8	Y: 53.4	Z: 15.5	<table border="1"> <tr> <td>X: 104.0</td> <td>Y: 44.0</td> <td>Z: 14.0</td> </tr> </table>	X: 104.0	Y: 44.0	Z: 14.0
X: 144.8	Y: 53.4	Z: 15.5					
X: 104.0	Y: 44.0	Z: 14.0					
D2354	D3172M						

- TO BE CONTINUED TO NEXT PAGE -

APRIL NEW Item Drawing Information

BRAKE PAD



"Valuable information" Interchange information (Existing MK item)

MK No.	Application	Year
D11297MH	KIA SOUL 1600cc, 2000cc (2WD) <EUR, CIS, RUS>	2013.12-
D11341H	VW GOLF 1ZB <BRA>	2014-2017
D11341H	VW GOLF R/GTI 1ZB <USA>	2015-2017
D11341H	VW GOLF 1ZB <EUR>	2014-2017
D11341H	SKODA OCTAVIA 1ZB <EUR>	2015-2017
D11341H	VW GOLF 1ZD, 1ZP, 1LV, 1ZG <EUR>	2014-2017
D11341H	VW PASSAT 1ZD, 1ZL, 1ZG <EUR>	2015.03-
D11341H	VW TIGUAN 1ZD <EUR>	2016-2017
D11341H	VW e-GOLF 1ZP <EUR>	2014-2017
D11341H	VW e-GOLF 1P <USA>	2015-2017
D11341H	VW GOLF R/GTI 1ZP, 1ZD (9U1), 1LV, 1ZG <USA>	2015.03-
D11341H	VW GOLF 1ZP <USA>	-2014.09
D11341H	VW GOLF 1LV <USA>	-2014.06
D11341H	VW GOLF R/GTI 1ZP, 1ZD <USA>	-2015.03
D11341H	AUDI A3 1ZP, 1ZD <USA>	-2015.03
D11341H	AUDI A3 Cabriolet 1ZP, 1ZD <USA>	-2015.03
D11341H	AUDI TT/TTS 1ZD <USA>	-2015.05
D11341H	VW GOLF 1ZD, 1ZP, 1ZG <EUR>	-2015.03
D11341H	VW PASSAT 1ZD <EUR>	-2015.03
D11341H	VW GOLF R/GTI 1ZP, 1ZD (9U1) <USA>	2015.03-
D11341H	AUDI A3 1ZP, 1ZD <USA>	2015.06-
D11341H	AUDI A3 Cabriolet 1ZP, 1ZD <USA>	2015.06-
D11341H	AUDI TT/TTS 1ZD <USA>	2015.05-
D11341H	VW GOLF 1ZD, 1ZP (9U1) <EUR>	2015.03-
D11341H	VW TOURAN 1ZD <EUR>	2016-2017
D11352MH	HYUNDAI ELANTRA GT (2000cc) <CAN>	2015.06-
D11355MH	HYUNDAI I40 1700cc, 2000cc <AUS>	2015.02-
D11355MH	HYUNDAI I40 1600cc, 1700cc, 2000cc <EUR>	2015.01-

- TO BE CONTINUED TO NEXT PAGE -

MK No.	Application	Year
D11373MH	HYUNDAI I40 1700cc, 2000cc <AUS>	2015.02-
D11373MH	HYUNDAI I40 1600cc, 1700cc, 2000cc <EUR>	2015.01-
D11379MH	HYUNDAI ELANTRA GT 2000cc <CAN>	2015.01-
D20007H	FORD FUSION CBK <EUR>	2001.11-
D20007H	FORD TRANSIT CONNECT 2000cc, ELECTRIC MOTOR <USA>	2010-2013
D20009H	FORD FOCUS <USA>	2004-2007
D2268	TOYOTA RAV4 ASA42L, ASA44L (2500cc) <NORTH AMERICAPRODUCT> <USA,CAN>	2015.11-
D2349	LEXUS NX200, NX200T, NX300H AYZ10 (2500cc), AYZ15 (2500cc) <EUR>	2014.07-
D2349	LEXUS NX200, NX200T, NX300H ZGZ10 (2000cc), ZGZ15 (2500cc) <EUR>	2014.10-
D2349	LEXUS NX200, NX200T, NX300H AGZ10 (2000cc TURBO), AGZ15 (2000cc TURBO) <EUR>	2014.12-
D2349	LEXUS NX200T, NX300H AGZ10 (2000cc TURBO), AGZ15 (2000cc TURBO), AYZ10 (2500cc), AYZ15 (2500cc) <USA,CAN>	2015.12-
D2349	LEXUS NX200, NX200T, NX300H AGZ10 (2000cc TURBO 2WD), AGZ15 (2000cc TURBO 4WD), AYZ10 (2500cc 2WD), AYZ15 (2500cc 4WD) <GEN-LHD,AUS,GCC>	2015.12-
D2349	LEXUS NX200, NX200T, NX300H AGZ15 (2000cc TURBO 4WD), AYZ10 (2500cc 2WD), AYZ15 (2500cc 4WD), ZGZ10 (2000cc 2WD), ZGZ15 (2000cc 4WD) <CHN>	2015.12-
D30006H	VW CC 2EA <USA>	2012-2017
D30006H	VW PASSAT 2EA,2EL <USA>	2006-2011
D30006H	VW PASSAT CC 2EA <USA>	2009-2012
D30006H	VW PASSAT 2EA <EUR>	2006-2015
D30006H	VW CC 2EA <EUR>	2012-2017
D30006H	VW PASSAT CC 2EA <EUR>	2009-2012
D5066MH	ACURA RDX TB1 <USA>	2007-
D5128M	HONDA CIVIC 5DOOR HATCHBACK 1500cc (EX, EXL, LX, SPORT) <USA>	2017-
D5187M	SUBARU LEGACY 2500cc,3600cc <USA>	2017-
D6141M	MITSUBISHI L200 KK1T (2400cc DIESEL), KK2T (2400cc DIESEL) <EUR>	2015.04-
K2392	MITSUBISHI MONTERO SPORT KR1W (2400cc DIESEL) <GEN,ZAF>	2015.10-
K2392	MITSUBISHI MONTERO SPORT KR3W, KS3W (2500cc DIESEL) <GEN>	2015.10-
K2392	MITSUBISHI MONTERO SPORT KR5W, KS5W (3000cc) <GEN,GCC>	2015.10-
K2392	MITSUBISHI MONTERO SPORT KS1W (2400cc DIESEL) <GEN,ZAF>	2015.10-
K2392	MITSUBISHI PAJERO SPORT KR1W (2400cc DIESEL) <GEN,ZAF>	2015.10-
K2392	MITSUBISHI PAJERO SPORT KR3W, KS3W (2500cc DIESEL) <GEN>	2015.10-
K2392	MITSUBISHI PAJERO SPORT KR5W, KS5W (3000cc) <GEN,GCC>	2015.10-
K2392	MITSUBISHI PAJERO SPORT KS1W (2400cc DIESEL) <GEN,ZAF>	2015.10-
K2392	MITSUBISHI PAJERO SPORT KS1W (2400cc DIESEL), KS5W (3000cc) <RUS>	2015.12-
K4470	MITSUBISHI L200 KJ3T (2500cc DIESEL 2WD) <GEN,GCC>	2015.01-
K4470	MITSUBISHI L200 KJ3T (2500cc DIESEL 2WD) <GEN,GCC>	2015.01-