



**MK ITEM / INTERCHANGE NEWS**

Date : January 8, 2020  
No. 20 - 01

**January New Item Information**

**BRAKE PAD**

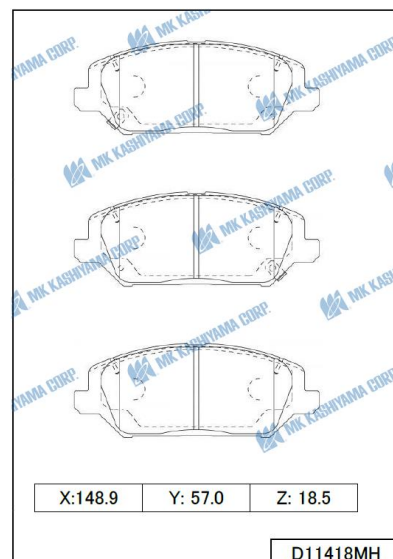
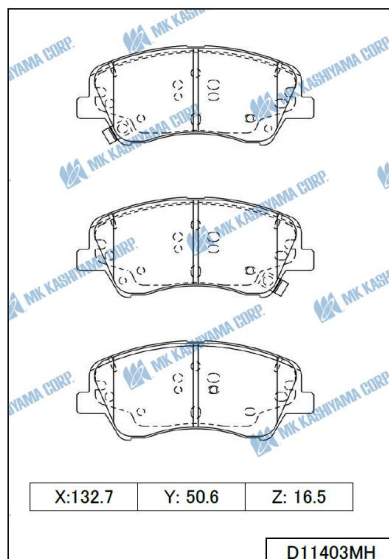
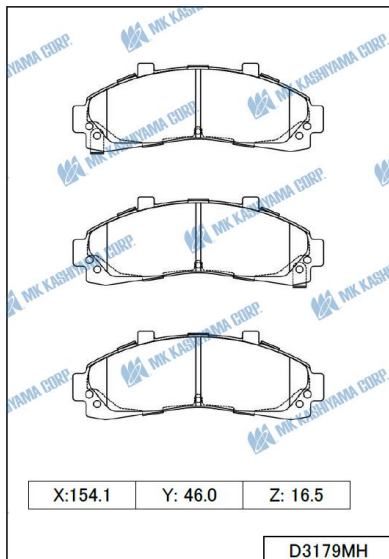
MK No.	Position	Application	Quotation Month
D3179MH Made in Indonesia FMSI No D652	FRONT	MAZDA B2300,B2500,B3000,B4000 95-04 <USA,CAN>	January. 2020
D11403MH Made in Indonesia FMSI No D2190	FRONT	HYUNDAI ACCENT 1600cc 17.09- <USA,CAN> KIA RIO 1600cc 17.04- <USA,CAN> KIA RIO 1000cc,1200cc,1400cc 16.10- <EUR> KIA STONIC 1000cc,1200cc,1400cc,1600cc 16.10- <KOR,EUR>	January. 2020
D11418MH Made in Indonesia	FRONT	HYUNDAI I30 1000cc,1400cc,1600cc 16.11- <EUR,CIS,RUS>	January. 2020

**BRAKE SHOE**

MK No.	Position	Application	Quotation Month
K2436 Made in Indonesia	REAR	DAIHATSU SIGRA 1000cc,1200cc 16.06- <IDN>	January. 2020

**January New Item Drawing Information**

**BRAKE PAD**



# MK ITEM / INTERCHANGE NEWS

Date : January 8, 2020  
No. 20 - 01

## January New Item Drawing Information BRAKE SHOE

