

MK ITEM / INTERCHANGE NEWS

Date : August 7, 2020
No. 20 - 08

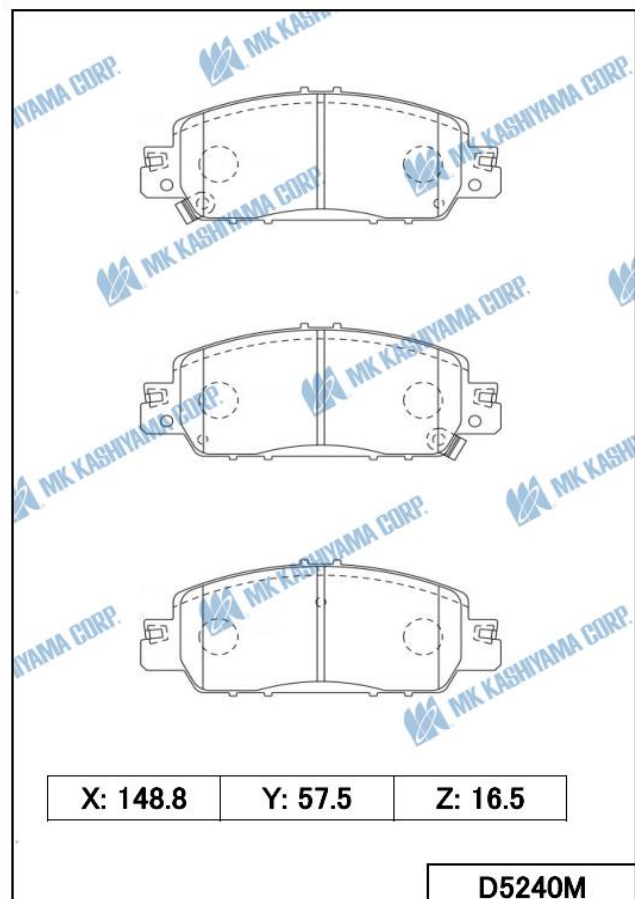
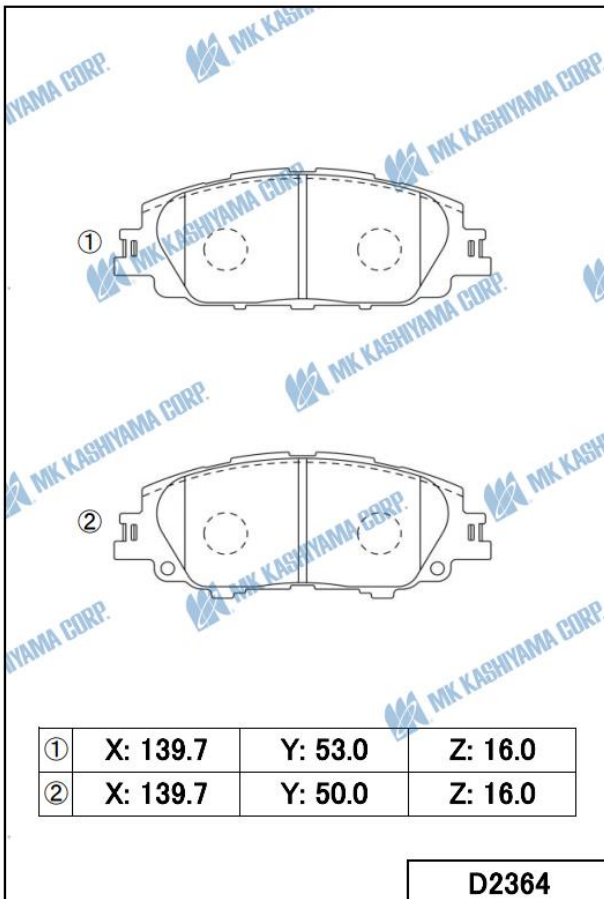
August New Item Information

BRAKE PAD

MK No.	Position	Application	Quotation Month
D2364 Made in Indonesia FMSI No D2176	Front	Toyota COROLLA HATCHBACK MZEA12 (2000cc) 18.06- <USA,CAN> Toyota AURIS MZEA12 (2000cc) 18.06- <TWN> Toyota COROLLA MZEA12 (2000cc) NRE210 (1200cc) 18.06- <AUS,ZAF>	August. 2020
D5240M Made in Japan FMSI No D1860	Front	Honda ACCORD COUPE LX-S (2400cc) 2016-17 <USA>	August. 2020
D6169 Made in Indonesia	Front	Mitsubishi ECLIPSE CROSS GK1W (1500cc TURBO) 17.10- <EUR> Mitsubishi OUTLANDER PHEV GG3W (2400cc PLUG-IN HYBRID) 18.05- <EUR>	August. 2020
D20133MH Made in Indonesia FMSI No D856	Front	Chrysler TOWN & COUNTRY (3300cc) 2004-07 <USA> Chrysler VOYAGER (2400c,3400cc) 2001-03 <USA> Dodge CARAVAN (3300cc) 2001-07 <USA> Jeep LIBERTY (2400cc,2800cc,3700cc) 2002-07 <USA>	August. 2020

August New Item Drawing Information

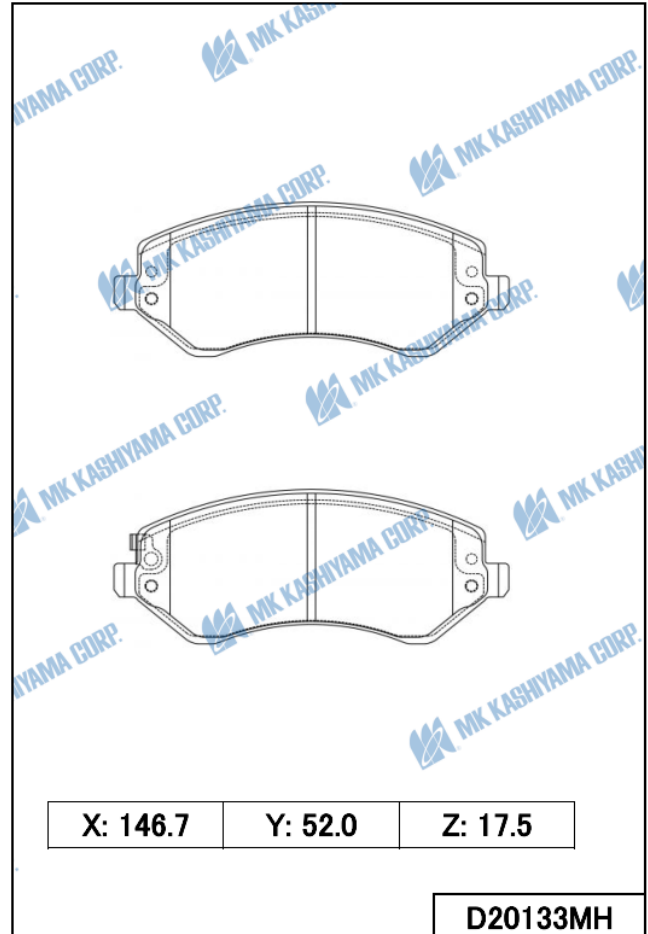
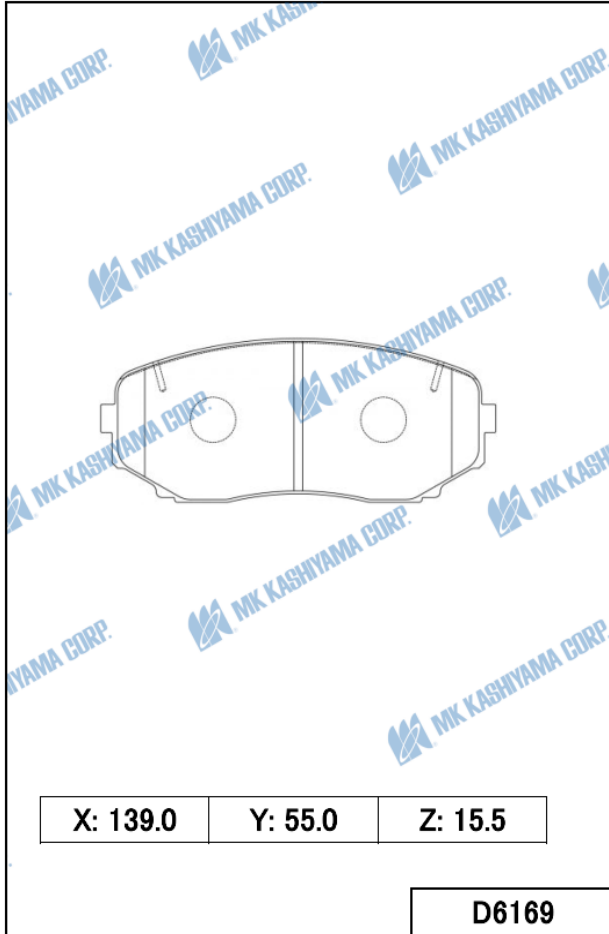
BRAKE PAD



MK ITEM / INTERCHANGE NEWS

Date : August 7, 2020
No. 20 - 08

August New Item Drawing Information BRAKE PAD



"Valuable information" Interchange information (Existing MK item)

MK No.	Position	Application	Year
D1309M	Rear	TOYOTA 86 ZN6 TRD SPECIAL EDITION (2000cc) <USA>	2018.07-
D1309M	Rear	TOYOTA 86.G186 ZN6 (2000cc) <EUR>	2016.08-
D7081M	Front	SUBARU LEGACY (2500cc) <USA>	2020-
D11355MH	Rear	HYUNDAI TUCSON (2000cc,2400cc) <USA>	2019-
D11352MH	Rear	HYUNDAI KONA ELECTRIC <USA>	2019-

Newly start production at Indonesia Factory (Existing MK Item)

D1243
D2207M
D2276
D4052
D4054
D4060M
D4068M

are available in indonesia from August order.