



MK KASHIYAMA CORP.

MK ITEM / INTERCHANGE NEWS

Date : September 10, 2020
No. 20 - 09

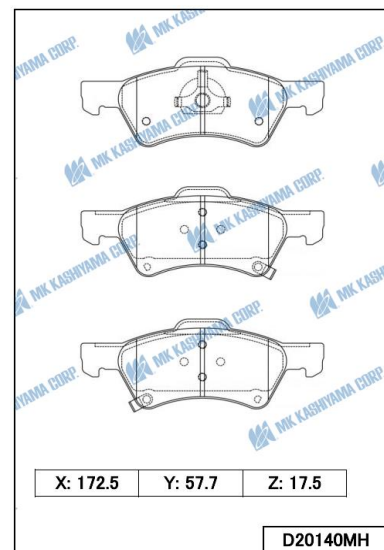
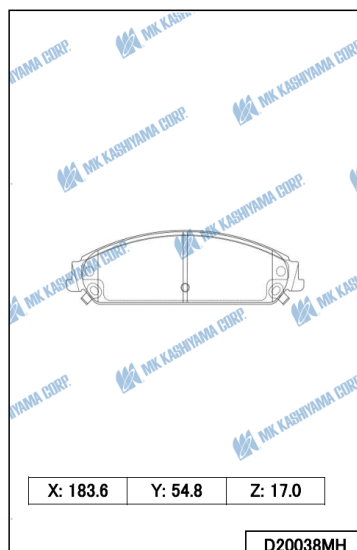
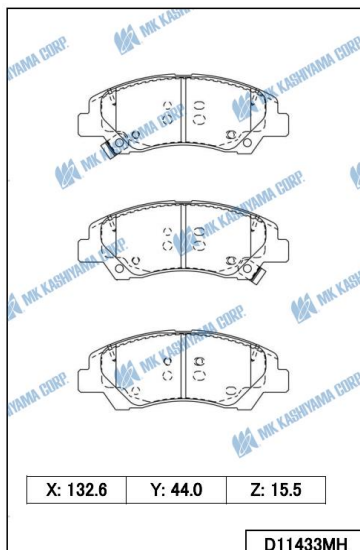
September New Item Information

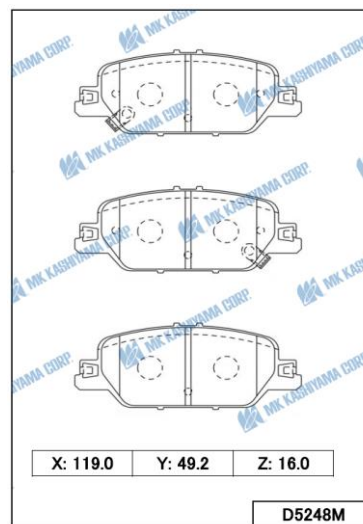
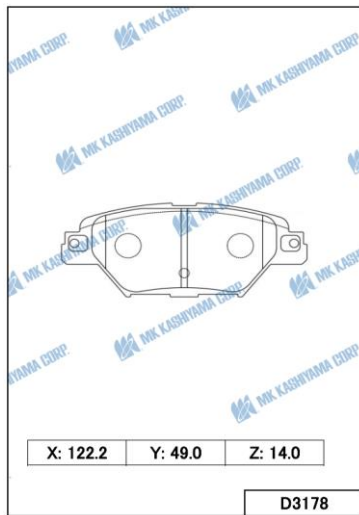
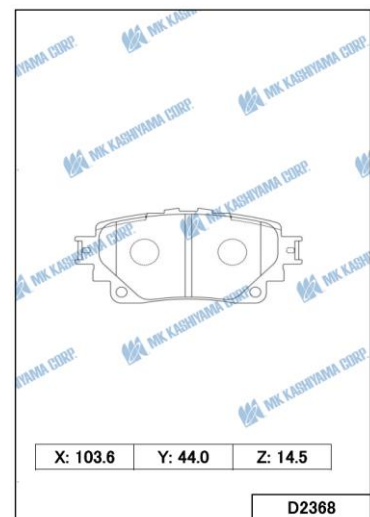
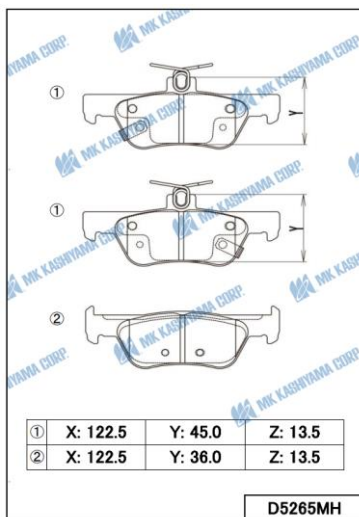
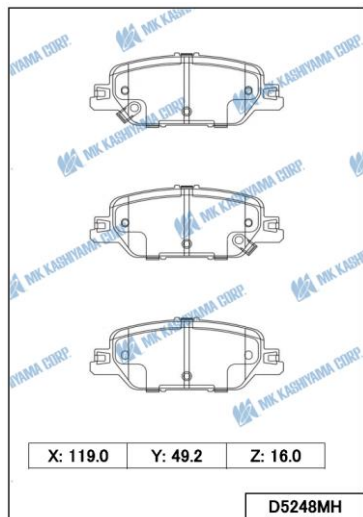
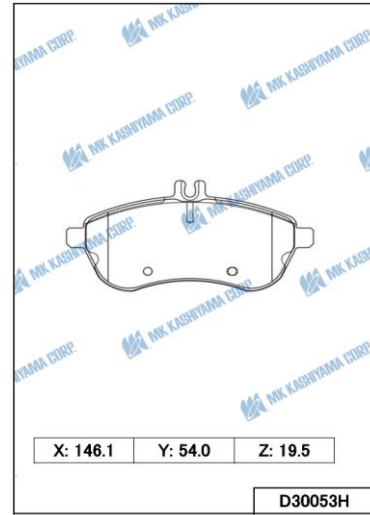
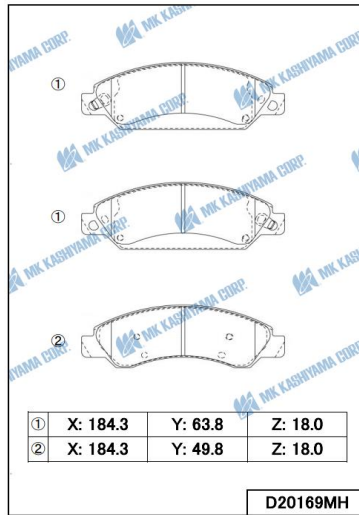
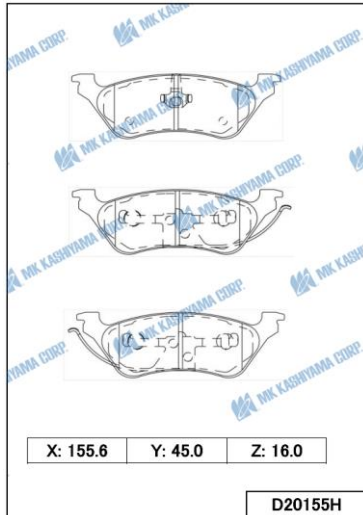
BRAKE PAD

MK No.	Position	Application	Quotation Month
D11433MH Made in Indonesia	Front	Hyundai GRAND i10 1000cc,1200cc India Plant 16.10- <EUR,IND,GEN,ME> Hyundai i10 1000cc,1200cc India Plant 16.09- <EUR> Hyundai i10 1000cc,1200cc Turkey Plant 16.10- <TUR> Hyundai XCENT 1200cc 16.12- <IND>	September. 2020
D20038MH Made in Indonesia FMSI No D1058	Front	Chrysler 300,300C 2700cc,3500cc,5700cc 05-11 <USA> Dodge CHALLENGER 3500cc,3600cc,5700cc 09-15 <USA> Dodge CHARGER 2700cc,3500cc,3600cc,5700cc 06-13 <USA> Dodge MAGNUM 2700cc,3500cc,5700cc 05-08 <USA>	September. 2020
D20140MH Made in Indonesia FMSI No D857	Front	Chrysler TOWN&COUNTRY 3300cc,3800cc 01-07 <USA> Chrysler VOYAGER 2400cc,3300cc 03- <USA>	September. 2020
D20155H Made in Indonesia FMSI No D858	Rear	Chrysler TOWN&COUNTRY 3300cc,3800cc 01-07 <USA> Dodge CARAVAN 3300cc,3800cc 01-07 <USA> Dodge GRAND CARAVAN 3300cc,3800cc 01-07 <USA>	September. 2020
D20169MH Made in Indonesia FMSI No D1092	Front	Cadillac ESCALADE,ESV,EXT 6200cc 07-08 <USA> Chevrolet SILVERADO 1500 4300cc,4800cc,5300cc,6000cc 07-08 <USA> Chevrolet SUBURBAN 1500 5300cc,6000cc 07 <USA> Chevrolet TAHOE 4800cc,5300cc,6200cc 07-08 <USA> GMC YUKON 4800cc,5300cc,6200cc 07-08 <USA>	September. 2020
D30053H Made in Indonesia FMSI No D1340	Front	Mercedes BENZ C180 1600cc,1800cc 08- <EUR> Mercedes BENZ C200 1800cc,2000cc,2200cc 07- <EUR> Mercedes BENZ E200 1800cc,2000cc 09- <EUR> Mercedes BENZ E220 2200cc 09- <EUR>	September. 2020
D5248MH Made in Indonesia FMSI No D2037	Rear	Honda CR-V 1500cc TURBO,2400cc 17-19 <USA>	September. 2020
D5265MH Made in Indonesia	Rear	Honda FIT 1300cc,1500cc 20.02- <JPN>	September. 2020
D2368 Made in Japan	Rear	Toyota RAV4 2000cc,2500cc HYBRID 18.11- <EUR,GCC>	September. 2020
D3178 Made in Japan FMSI No D1934	Rear	Mazda CX-9 2500cc 16.03- <GEN,SAU,RUS>	September. 2020
D5248M Made in Japan FMSI No D2037	Rear	Honda CR-V 1500cc TURBO,2400cc 17-19 <USA>	September. 2020

September New Item Drawing Information

BRAKE PAD





New Regulation 90 Approval Item (For EU Market)

MK No.	Position	Application	Approval No.
K4444	Rear	Isuzu GEMINI JT15.JT190.JT600 85.03-87.03 <JPN>	02B01611/53281
K4448	Rear	Isuzu GEMINI JT15.JT190.JT600 87.03-90.02 <JPN>	02B01611/53281
K1204	Rear	Nissan MARCH K11.CK11 92.01-02.02 <JPN>	02B01611/53281
K0030	Rear	Daihatsu SIRION M311 (1300cc) 04.10- <EUR>	02B01611/53281
K1280	Rear	Nissan MARCH K13T (1200cc) 2WD 10.07- <JPN>	02B01611/53281
K5510	Rear	Honda JAZZ 3Door 1984-1985 <EUR>	02B01611/53281
K2290	Rear	Toyota STARLET EP70 SERIES. NP70 84.10-89.12 <EUR>	02B01611/53281
K9992	Rear	Nissan PIXO UAO (1000cc) 09.03-13.08 <EUR>	02B01611/53281
K2350	Rear	Toyota VITZ NCP10.SCP10.SCP13 99.01-05.01 <EUR>	02B01611/53281
K1164	Rear	Nissan MICRA K10 82.12-92.11 <EUR>	02B01611/53281
K2401	Rear	Toyota IQ KGJ10 (1000cc) .NGJ10 (1300cc) 08.11-14.05 (EUR)	02B01611/53281
K1261	Rear	Nissan MARCH K12 02.02-10.07 <JPN>	02B01611/53281