

MK KASHIYAMA CORP.

# MK ITEM / INTERCHANGE NEWS

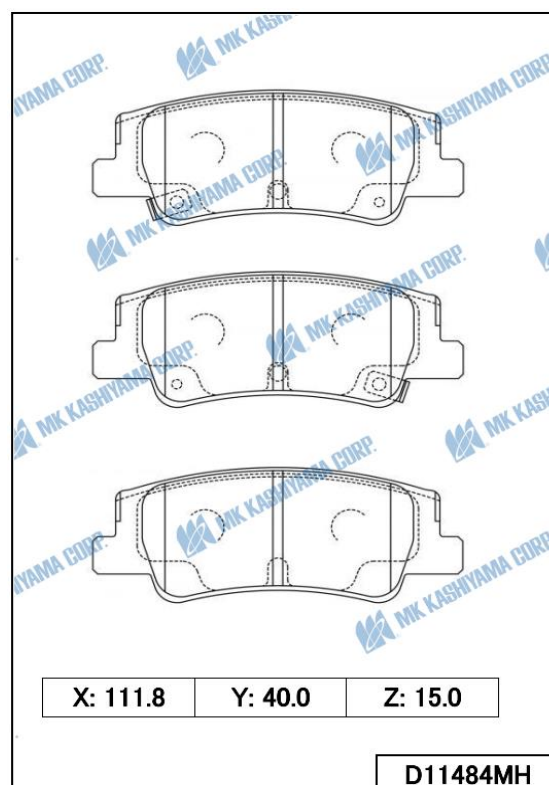
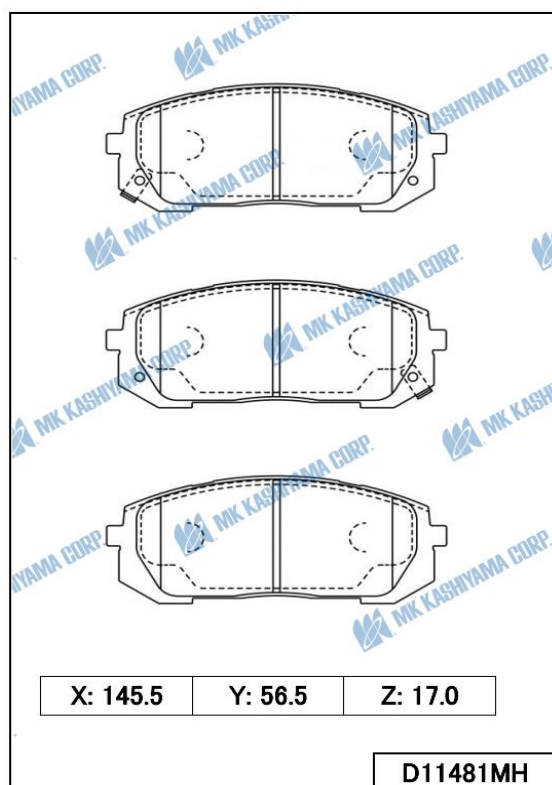
## April New Item Information

### ■ BRAKE PAD

MK No.	Position	Application	Quotation Month
D11481MH Made in Indonesia FMSI:D2302	Front	Hyundai Sonata 1600cc,2500cc 19.07- <EUR,USA,CAN,ME> Hyundai Elantra 1600cc 20.06- <USA,CAN,GEN,AUS> Kia K5 2000cc,2500cc 20.01- <CIS,GEN,ME>	April. 2022
D11484MH Made in Indonesia FMSI:D2299	Rear	Hyundai Sonata 1600cc,2500cc 19.07- <EUR,USA,CAN,ME> Hyundai Elantra 1600cc 20.06- <USA,CAN,GEN,AUS> Kia K5 2000cc,2500cc 20.01- <CIS,GEN,ME>	April. 2022
D1372H Made in Indonesia FMSI:D2375	Front	Nissan Rogue 2500cc 20.06- <USA,CAN>	April. 2022
D2381H Made in Japan	Front	Toyota Yaris 1500cc 20.05- <AUS> Toyota Yaris 1000cc,1500cc 20.02- <JPN> Toyota Aqua 1500cc 2WD 21.06- <JPN>	April. 2022

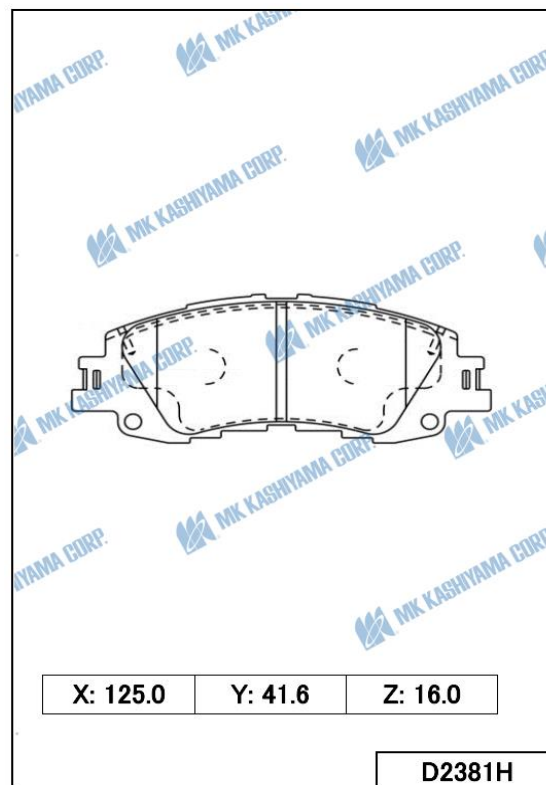
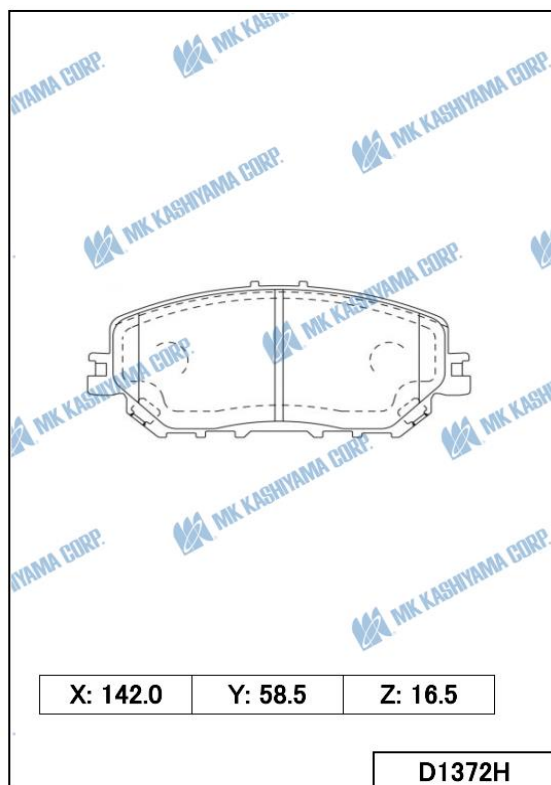
## April New Item Drawing Information

### ■ BRAKE PAD



MK KASHIYAMA CORP.

# MK ITEM / INTERCHANGE NEWS



## Valuable Information

### ■ Newly start Products with SHIM (Existing MK Item)

MK No.	Origin	Quotation Month
D11192MH	Made in Indonesia	April. 2022
D2163H	Made in Japan	April. 2022
D4034MH	Made in Indonesia	April. 2022
D4045MH	Made in Japan	April. 2022
D5018H	Made in Indonesia	April. 2022
D5042MH	Made in Indonesia	April. 2022
D5044MH	Made in Indonesia	April. 2022
D5049H	Made in Indonesia	April. 2022
D5180MH	Made in Indonesia	April. 2022

### ■ Interchange information (Existing MK item)

MK No.	Position	Application	Year
D11352MH	Rear	KIA CERATO (1600cc,2000cc) <AUS>	2021.04-
D11373MH	Front	KIA FORTE,FORTE5,CERATO (1600cc,2000cc) <MEX,CAN,AUS,GEN>	2018.11-
D11469MH	Front	KIA CARNIVAL (2200cc) <GEN>	2019.11-
D2274H	Front	TOYOTA COLLORA ALTIS (1400cc,1800cc) <IND>	2017.03- 2019.06
D2326H	Rear	TOYOTA SIENNA (1500cc) <IDN,THA>	2016.07-
D5243MH	Rear	HONDA CIVIC 4DOOR (Arab countries,SAU,TUR,ZAF>	2022-
D5248MH	Rear	HONDA CR-V <ZAF>	2022-
D5265MH	Rear	HONDA FIT, FIT E:HEV <ZAF>	2021-
D6100H	Front	TOYOTA AGYA,WIGO (1000cc) <GEN,IDN>	2016.02- 2017.04
K9012	Rear	SUZUKI CELERIO AVK310 (1000cc) <DEU,UK,AUS,PHL>	2014.03- 2015.01
K9012	Rear	SUZUKI CELERIO AVK310 (1000cc) <IDN>	-

# MK ITEM / INTERCHANGE NEWS

## ■ New Regulation 90 Approval Item for Indonesia

Adaptation start period : From End of June shipment

MK No.	Position	Application	Approval No.
D2228M	Front	TOYOTA Fortuner 2.8 Diesel Turbo 2020.06-	90R-02A01646/62817
D2228MH	Front	TOYOTA Fortuner 2.8 Diesel Turbo 2020.06-	90R-02A01646/62817
D2254M	Rear	TOYOTA Corolla 1.3 Petrol 2006.11-2016.05	90R-02A01589/62819
D2254MH	Rear	TOYOTA Corolla 1.3 Petrol 2006.11-2016.05	90R-02A01589/62819
D2274	Front	TOYOTA Corolla 1.3 Petrol 2006.11-2016.05	90R-02A01589/62818
D2274H	Front	TOYOTA Corolla 1.3 Petrol 2006.11-2016.05	90R-02A01589/62818
D2323M	Rear	TOYOTA Prius 1.8 Petrol 2009.04-2018.12	90R-02A01589/62819
D2364	Front	TOYOTA Corolla 1.8 Petrol 2019.01-	90R-02A01589/62818
D6109	Front	MITSUBISHI Lancer 1.3 Petrol 2000.09-2013.08	90R-02A01589/62816
D6127	Front	MITSUBISHI Colt 1.5 Petrol 2004.12-2007.09	90R-02A01589/62816
D9050M	Front	NISSAN Micra 1.2 Petrol 2010.07-	90R-02A01589/62820
D9050MH	Front	NISSAN Micra 1.2 Petrol 2010.07-	90R-02A01589/62820

## Announcement

### ■ Changed SETS/CTN Products (Existing MK Item)

Since starting or planning to start with SHIM products, inner box size will be bigger than before for fit with SHIM products. This is why sets/ctn of without SHIM products also changed.

Below products will be changed from FEBRUARY Order (End of MAY shipment).

<From APRIL Order>

MK No.	Previous	Present	Origin
D11192M	15 sets/ctn	12 sets/ctn	Made in Indonesia

### ■ Changed Product composition (Existing MK Item)

From August order, D9085M composition will be changed to have the same composition as the genuine parts.

Our paper catalog 2022-2023 product drawings is already changed for new composition.

