

MK ITEM / INTERCHANGE NEWS

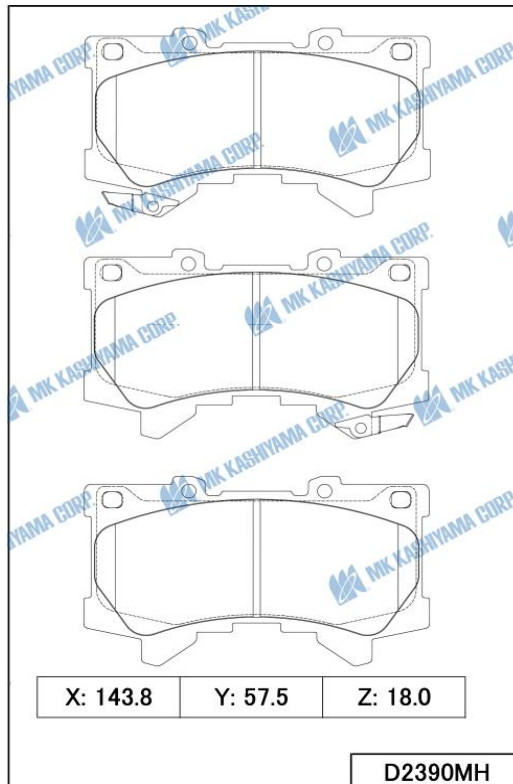
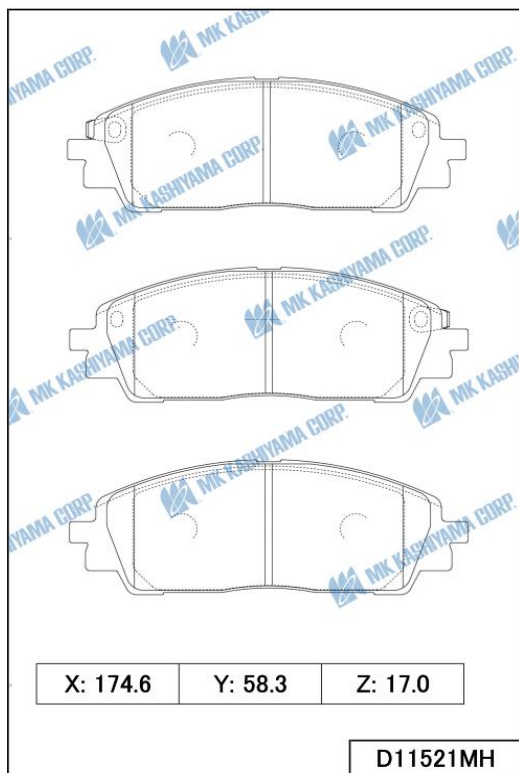
March New Item Information

■ BRAKE PAD

MK No.	Position	Application	Quotation Month
D11521MH Made in Indonesia FMSI: D2392	Front	Kia Carnival 2200/3500cc 20.09- <EUR,CIS,USA,CAN,AUS,ME,GEN>	March, 2023
D2390MH Made in Indonesia Made in Japan FMSI: D2442	Front	Lexus LX VJA310 21.12- <EUR,USA,CAN,GCC,AUS> Toyota Tundra VXKA70,VXKH80 21.11- <USA,CAN> Toyota Land Cruiser FJA300,VJA300 21.04- <EUR,USA,CAN,GEN>	March, 2023
K2450 Made in Indonesia FMSI: S844	Parking	Lexus LX FZJ80,UZJ100 02.08-07.08 <EUR,USA,CAN> Toyota Land Cruiser FJ80, UZJ100 92.08- <EUR,USA,CAN,GEN>	March, 2023

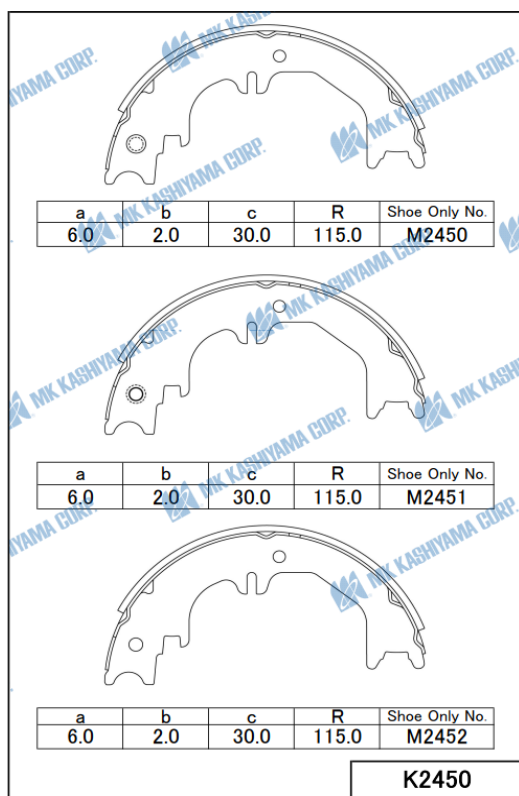
March New Item Drawing Information

■ BRAKE PAD



MK ITEM / INTERCHANGE NEWS

■ BRAKE SHOE



Valuable Information

■ Interchange information (Existing MK item)

MK No.	Position	Application	Year
D11344H	REAR	VW TIGUAN AD1 (1400cc,1500cc,2000cc) <EUR>	2018-2019
D1286M	REAR	NISSAN ALTIMA L34 (2000cc TURBO,2500cc) <GEN-LHD,GCC>	2020.12-
D1344MH	FRONT	NISSAN ALTIMA L34 (2000cc TURBO,2500cc) <GEN-LHD,GCC>	2020.12-
D2316H	FRONT	TOYOTA RAV4 (2500cc) <EUR>	2021.12-
D4029MH	FRONT	ISUZU PANTHER (2200cc) <IDN>	1990.09- 1996.01
D5113MH	FRONT	HONDA BR-V (1500cc) <IDN,IND,PAN,ZAF>	2016-2021
D5140MH	REAR	HONDA CR-V (2400cc) <USA>	2005-2012
D5187M	FRONT	HONDA CROSSTOUR (2400cc,3500cc) <USA>	2011-2012
D5217MH	FRONT	HONDA BRIO (1200cc) <IDN>	2019-
D5226MH	REAR	HONDA HR-V (1500cc,2000cc) <USA>	2022-
D5243MH	REAR	HONDA CIVIC (1500cc,2000cc) <USA>	2016-2021

Continue to Next page

MK ITEM / INTERCHANGE NEWS

■ Interchange information (Existing MK item)

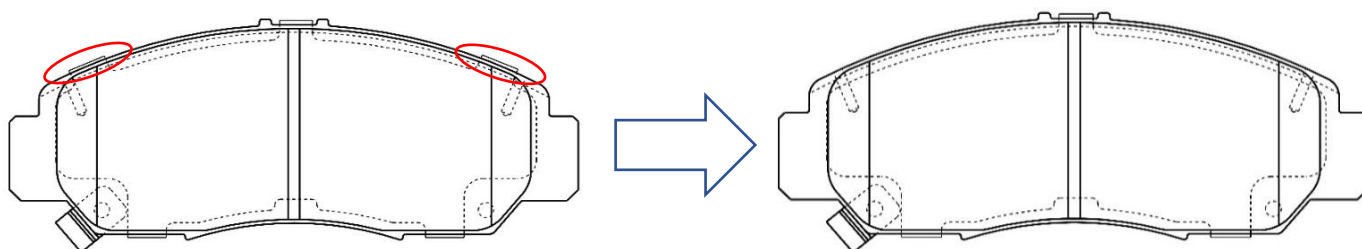
MK No.	Position	Application	Year
D5243MH	REAR	HONDA CIVIC (1500cc,2000cc) <USA>	2022-
K2453	PARKING	TOYOTA CELICA ZZT23# (1800cc) <EUR,USA,CAN,GEN>	1999.08- 2005.09
K5541	REAR	HONDA BRIO (1200cc,1300cc) <IDN,PHL,THA,ZAF>	2013-2017
K5541	REAR	HONDA BRIO (1200cc) <IDN,PHL,VNM>	2019-

Announcement

■ Change SHIM type

Changing the type of shim to avoid interference with the return spring hole of the shim claw.

This changing from April order (July shipment)

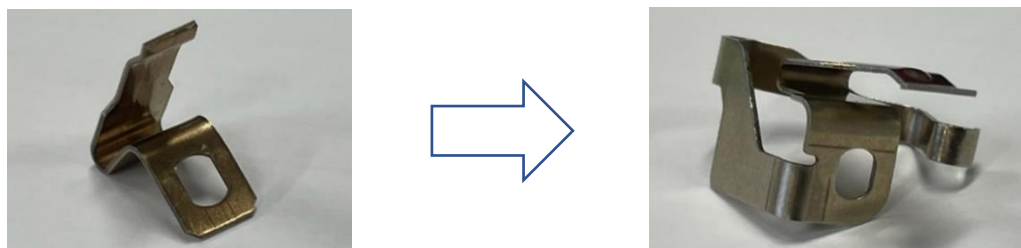


MK No.	Origin
D5113MH	Made in Japan, Made in Indonesia
D5122MH	Made in Japan, Made in Indonesia
D5198MH	Made in Indonesia

■ Change SENSOR type

Changing the type of sensor, to change same type of genuine.

This changing from April order (July shipment)



MK No.	Origin
D1353MH	Made in Indonesia