

MK ITEM / INTERCHANGE NEWS

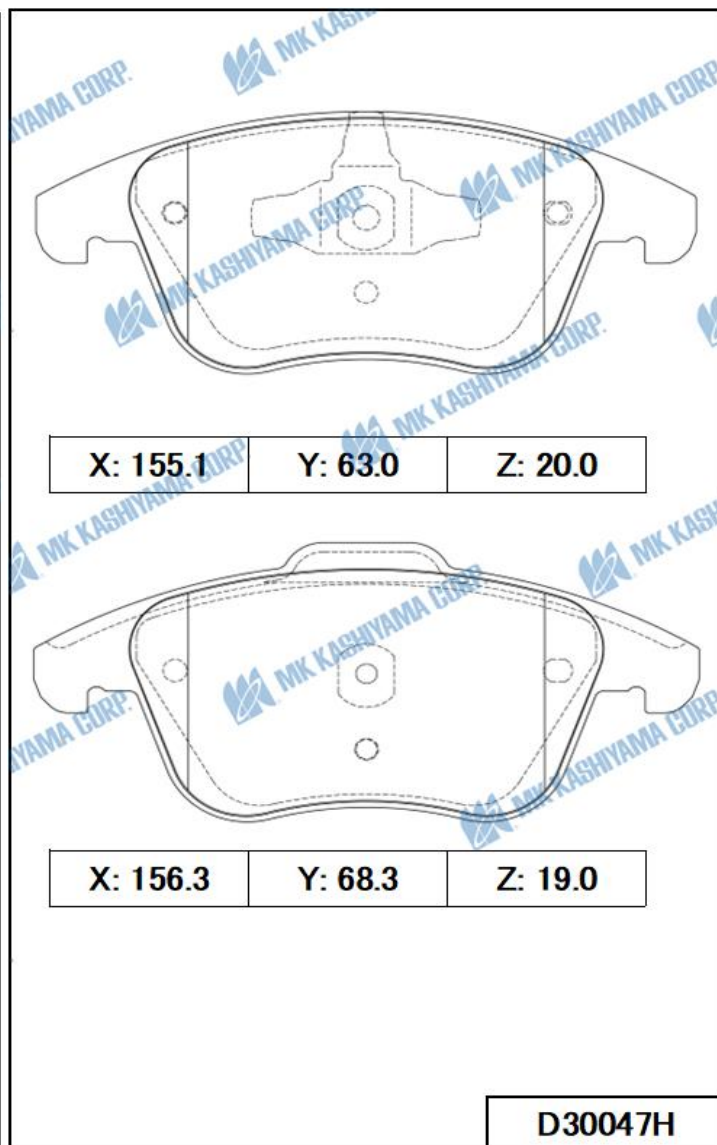
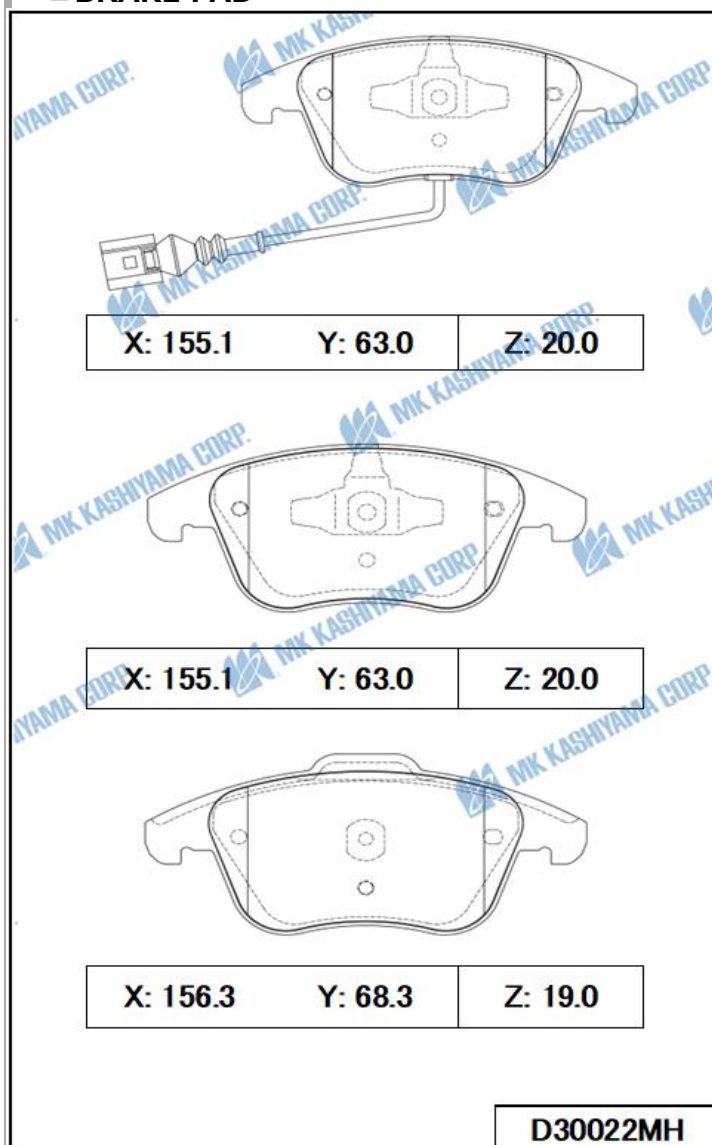
NOVEMBER New Item Information

■ BRAKE PAD

MK No.	Position	Application	Quotation Month
D30022MH Made in Indonesia FMSI No. D1375	Front	VW SHARAN 201-2016 <EUR> VW TIGUAN 2008-2017 <EUR,USA> VW PASSAT B7 2012-2018 <USA>	November, 2023
D30047H Made in Indonesia	Front	MG 6 1500cc TURBO 2020- <EUR,GEN> MG HS 1500cc,2000cc TURBO 2018- <EUR,GEN> MG ZS EV BEV 2018- <EUR,GEN>	November, 2023
D30065MH Made in Indonesia FMSI No. D2031	Front	MG 5 1500cc 2012-2019 <EUR,GEN> MG GT 1400cc,1500cc 2014-2019 <EUR,GEN> MG ZS 1000cc,1500cc TURBO 2017- <EUR,GEN>	November, 2023
D30068MH Made in Indonesia	Rear	MG ZS 1000cc,1500cc TURBO W/O EPB 2017- <EUR,GEN>	November, 2023

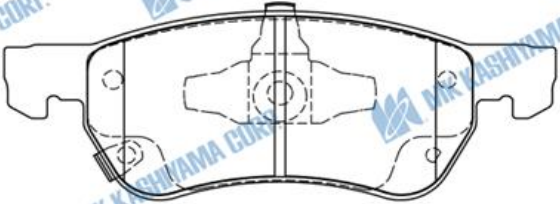
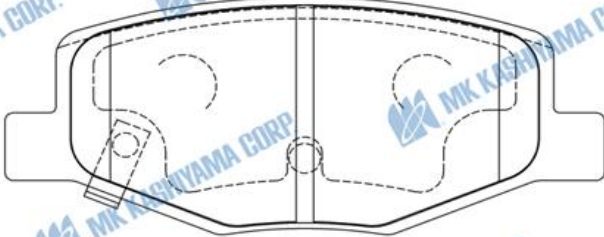
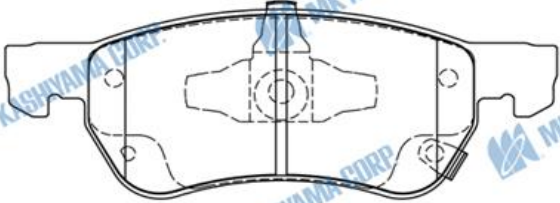
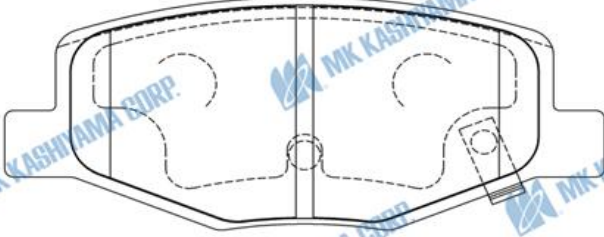
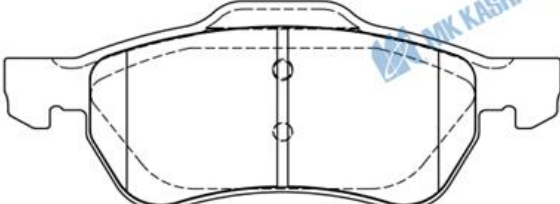
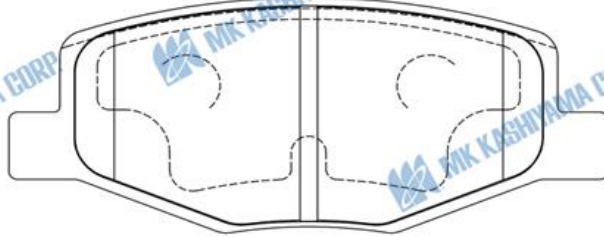
NOVEMBER New Item Drawing Information

■ BRAKE PAD



MK ITEM / INTERCHANGE NEWS

■ BRAKE PAD

 <p>X: 155.2 Y: 51.0 Z: 17.0</p>	
 <p>X: 155.2 Y: 51.0 Z: 17.0</p>	
 <p>X: 156.5 Y: 57.0 Z: 17.0</p>	 <p>X: 103.6 Y: 43.0 Z: 14.0</p>
D30065MH	D30068MH

Valuable Information

■ Interchange information (Existing MK item)

MK No.	Position	Application	Year
D1336MH	FRONT	NISSAN 370Z Z34 (3000cc) <USA,CAN>	2022.02-
D1355MH	FRONT	NISSAN LEAF ZE1E <AUS,EUR,GEN>	2018-2020
D5056MH	REAR	HONDA CIVIC	2006-2011
D5168MH	FRONT	HONDA JAZZ e:HEV <DEU,TUR,UK>	2023
D9066M	REAR	SUZUKI SWIFT <SAU>	2019.10-

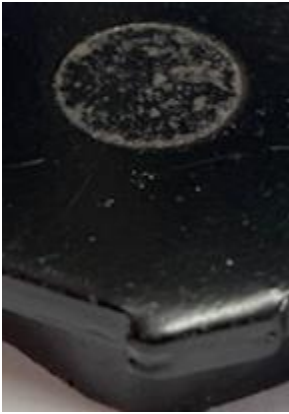
MK ITEM / INTERCHANGE NEWS

■ Changing of back-plate hole

We change back plate hole from flat type to dent type for below MK Number products.

If you have any questions, please do not hesitate to ask us.

<Flat>



<Dent>



MK No.	Origin
D2349	Made in Japan

*No update information of SHIM production in this month MK NEWS.

Announcement