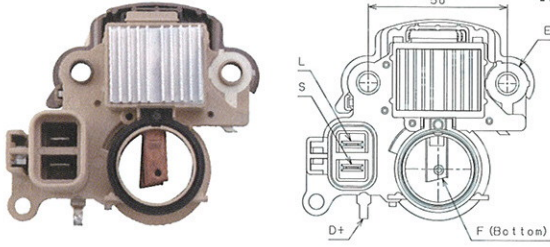
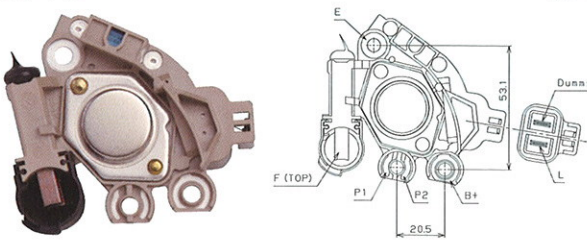
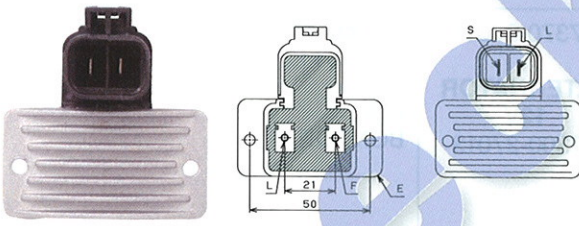
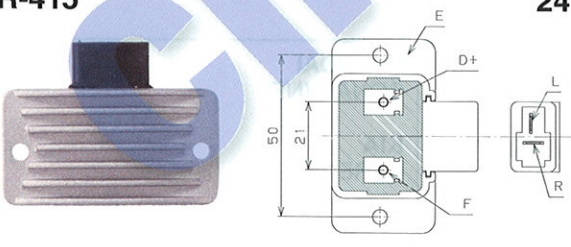
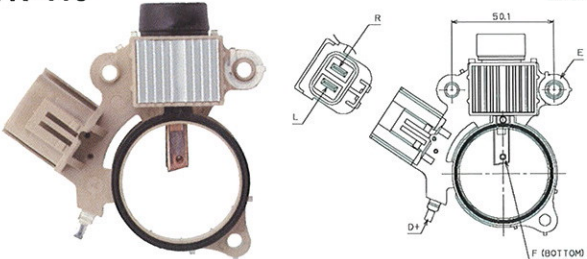
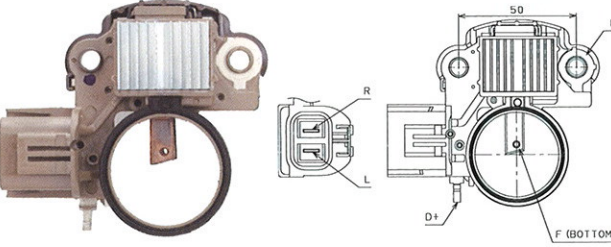
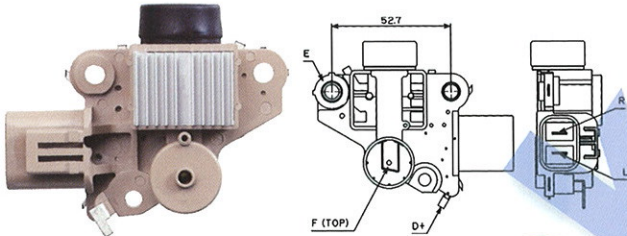
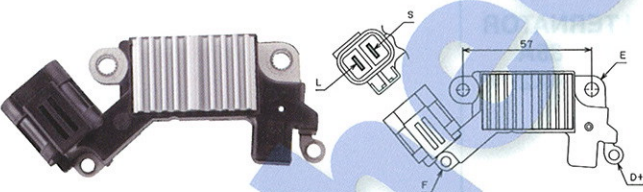
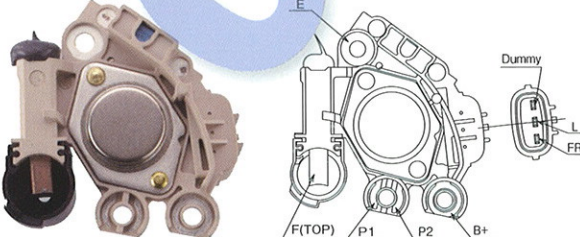


Our line up for

KOREAN APPLICATIONS!!

Illustration	Ref. No.	Application
<p>IVR-412 12V</p>  <p>50PCS./CARTON 44×44×15cm (0.02904m³) G/W: 5.1kg</p>	<p>37370-02500 ALTERNATOR 12V 37300-02503</p>	<p>HYUNDAI ATOS ATOS PRIME SANTRO</p>
<p>IVR-413 12V</p>  <p>50PCS./CARTON 44×44×15cm (0.02904m³) G/W: 5.3kg</p>	<p>37370-22650 ALTERNATOR 12V 90A 37300-22650 37300-2A110</p>	<p>HYUNDAI CLICK GETZ TB ACCENT VERNA COUPE ELANTRA MATRIX LAVITA</p> <p>TIBURON TRAJET TUCSON</p>
<p>IVR-414 12V</p>  <p>200PCS./CARTON 57×34×29cm (0.0562m³) G/W: 18.0kg</p>	<p>37370-4Z210 0K552-18-W63 0K552-24-520 ALTERNATOR 12V 85A 37300-4X200</p>	<p>KIA CARNIVAL SEDONA</p>
<p>IVR-415 24V</p>  <p>200PCS./CARTON 54×34×29cm (0.0562m³) G/W: 15.0kg</p>	<p>0K42-12-4520 ALTERNATOR 24V OSL21-18-300H</p>	<p>KIA JUMBO TITAN</p>

<http://www.newera.co.jp/>

Illustration	Ref. No.	Application
<p>IVR-416 24V</p>  <p>100PCS./CARTON 58×29×47cm (0.07905m³) G/W: 13.0kg</p>	<p>37370-41750 ALTERNATOR 24V 37300-41750</p>	<p>HYUNDAI COUNTY</p>
<p>IVR-417 24V</p>  <p>50PCS./CARTON 44×44×15cm (0.02904m³) G/W: 6.0kg</p>	<p>37370-45050 ALTERNATOR 24V 37300-45050</p>	<p>HYUNDAI E-MIGHTY</p>
<p>IVR-418 24V</p>  <p>100PCS./CARTON 41×24×51cm (0.02904m³) G/W: 11.0kg</p>	<p>37370-8Y020 ALTERNATOR 24V 0K87T-18-30A</p>	<p>HYUNDAI 5TON TRUCK</p>
<p>IVR-419 12V</p>  <p>200PCS./CARTON 55×30×45cm (0.07425m³) G/W: 17.0kg</p>	<p>37370-27011 ALTERNATOR 12V 37300-27013</p>	<p>HYUNDAI SANTA FE KIA BONGOIII</p>
<p>IVR-420 12V</p>  <p>200PCS./CARTON 55×30×45cm (0.07425m³) G/W: 17.0kg</p>	<p>37370-25100 37370-25201 ALTERNATOR 12V 37300-25201</p>	<p>HYUNDAI SONATA(NF) KIA CARENS</p>