

MK item/Interchange News

Date : APRIL 12, 2016
No. 16-04

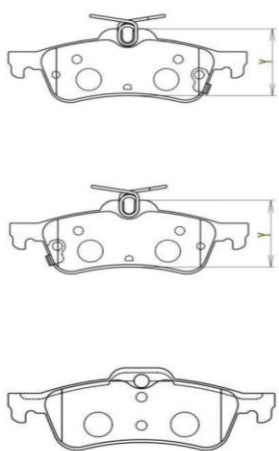
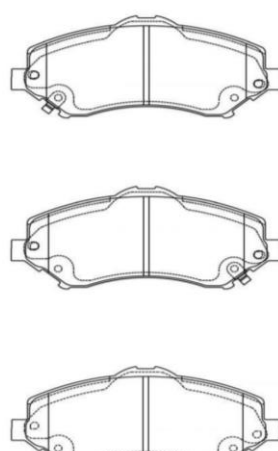
APRIL NEW Item Information

BRAKE PAD

MK No.	Application	Releasing Month (accepting order)	Quotation Month
D5235M Made in Indonesia	CIVIC TYPE R	Apr. 2016	Apr. 2016
D11330MH Made in Indonesia FMSI NO. D1273	JEEP WRANGLER 07-13	Apr. 2016	Apr. 2016

APRIL NEW Item Drawing Information

BRAKE PAD

							
<table border="1"> <tr> <td>X: 123.0</td> <td>Y: 39.5</td> <td>Z: 13.5</td> </tr> </table>	X: 123.0	Y: 39.5	Z: 13.5	<table border="1"> <tr> <td>X: 146.7</td> <td>Y: 55.3</td> <td>Z: 17.3</td> </tr> </table>	X: 146.7	Y: 55.3	Z: 17.3
X: 123.0	Y: 39.5	Z: 13.5					
X: 146.7	Y: 55.3	Z: 17.3					
D5235M	D11330MH						

NEW Regulation 90 approval Item (for EU market)

MK No.	Application	Approval No.
D20007H	FORD FOCUS / C-MAX CAK 98.08-05.05 FORD FUSION CBK 01.11- FORD FIESTA CBK 04.01-08.09 FORD TRANSIT CONNECT TC7 02.05-13	E1 90R-02A0014/0040
D11335MH	KIA CEE'D 12.6-	E1 90R-02A0014/0041
D1339	NISSAN ROGUE T32U 2ROW 13.10- NISSAN QASHQAI J11E 13.12- NISSAN QASHQAI J11R 15.12- NISSAN X-TRAIL T32 (2ROW) 14.04- NISSAN X-TRAIL T32R (2000cc, 2500cc) 14.12-	E1 90R-02A0014/0043
D3050M	MAZDA 121 DA1 86.12- MAZDA 121 DA 87.11-90.11 KIA PRIDE, FESTIVA 97.05-00.01	E1 90R-02A0350/0042

"Valuable information" ***Interchange information (Existing MK item)***

MK No.	Application	Year
D0044	AVANZA F651 (1300cc), F652 (1500cc) <MEX>	2014.08-
D0044	AVANZA F651 (1300cc), F652 (1500cc) <GEN,GCC,IDN,MYS,PHL,THA,ZAF>	2015.05-
D0044	AVANZA F653 (1300cc), F654 (1500cc) <IDN>	2015.07-
D0044	AVANZA F654 (1500cc) <GCC,MEX,THA>	2015.08-
D0044	AVANZA F653 (1300cc), F654 (1500cc) <GEN,MYS,PHL,ZAF>	2015.08-
D2228M	TACOMA GRN305, GRN310 (3500cc) <USA,CAN>	2015.08-
D2289MH	AVENSIS WWT270 (1600cc DIESEL), ZRT272 (2000cc) <EUR>	2015.06-
D2289MH	VERSO ZGR20 (1600cc), ZGR21 (1800cc), WAR20 (1600cc DIESEL) <EUR>	2015.06-
D2296M	AVENSIS WWT270 (1600cc DIESEL), WWT271 (2000cc DIESEL) <EUR>	2015.05-
D2317MH	AVENSIS WWT271 (2000cc DIESEL) <EUR>	2015.06-
D2320MH	AVENSIS WWT271 (2000cc DIESEL) <EUR>	2015.06-
D2326	MIRAI JPD10 (FCV) <EUR,USA,CAN>	2015.06-
D2326	PRIUS +, PRIUS V ZVW40 (1800cc) <AUS>	2015.04-
D3170	SCION IA DB7 (1500cc 6AT), DD1 (1500cc 6MT) <USA,CAN>	2015.06-
D3170	YARIS R DD1 (1500cc) <MEX>	2015.06-
D3170	YARIS R DB7 (1500cc AT), DD1 (1500cc 6MT) <PRI>	2015.06-
D5187M	CROSSTOUR EX, EXL <USA>	2015
D5187M	ODYSSEY EX, EXL, LX, TOURIN <USA>	2015-
D5190	ODYSSEY EX, EXL, LX, TOURIN <USA>	2015-
D5226M	HR-V EX, EX-L, LX <USA>	2016
D11198MH	HYUNDAI SANTA FE <USA>	2014.09-
D11230MH	KIA SOUL 1600cc 2000cc (2WD) FROT DISC 16INCH <EUR,CIS>	2013.12-
D11239M	KIA SEDONA <USA,CAN>	2014.08-
D11239M	KIA CARNIVAL, SEDONA <GEN>	2014.12-
D11239M	KIA CARNIVAL <AUS,ME>	2014.12-
D11257MH	KIA SOUL 1600cc, 2000cc (2WD) <USA,CAN>	2013.08-
D11257MH	KIA SOUL 1600cc, 2000cc (2WD) <GEN,AUS,ME>	2013.12-
D11283MH	HYUNDAI I30 (CZECH PLANT) 15 INCH <EUR>	2014.11-
D11283MH	HYUNDAI I30 (CZECH PLANT) 15 INCH <RUS,AUS>	2015.02-
D11299MH	KIA SOUL 1600cc 2000cc (2WD) FROT DISC 15INCH <EUR,CIS>	2013.12-
D11302MH	KIA OPTIMA 2000cc 6AT, 2WD (PARKING BRAKE CONTROL EPB) <USA>	2012.01-2012.07
D11302MH	KIA OPTIMA 2000cc 2WD / 2400cc 2WD (GEORGIA PLANT) <USA>	2014.05-
D11305MH	KIA CEE'D 1400cc, 1600cc DISC 16INCH <EUR>	2013.10-