

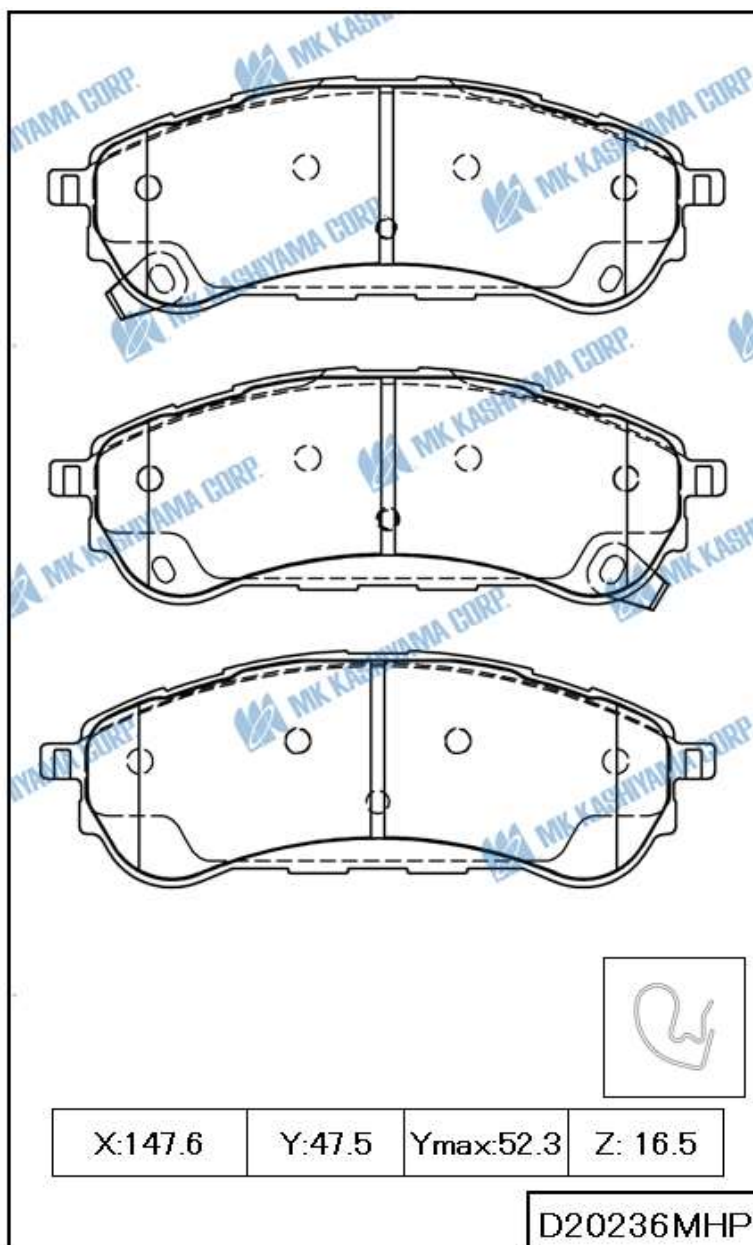
MK ITEM / INTERCHANGE NEWS

APRIL New Item Information

■ BRAKE PAD

MK No.	Position	Application	Quotation Month
D20236MHP Made in Indonesia FMSI D2208	Rear	Ford Ranger Raptor TKE 2000cc 2019- <EUR>	April,2024

APRIL New Item Drawing Information



MK ITEM / INTERCHANGE NEWS

Valuable Information

■ Interchange information (Existing MK item)

MK No.	Position	Application	Year
D30006H	REAR	FAW-VW GOLF 1.4L,1.6L,2.0L <CHN>	2009-2014
	REAR	FAW-VW SAGITAR 1.2L,1.4L,1.6L,2.0L <CHN>	2012-
	REAR	VW TIGUAN 2.0L TURBO <USA>	2008-2013
D1282M	FRONT	INFINITI QX70	
D1329MH	REAR	NISSAN ARMADA <USA>	2020-2023
D3185MH	REAR	MAZDA CX-30 (2500cc, 2500cc TURBO) <USA>	2021.09-
D5060M	FRONT	HONDA ACCORD <USA>	1996-2002
D5128MH	FRONT	HONDA ACCORD <USA>	2014-2017
D5140MH	REAR	ACURA RDX (2300cc) <USA>	2010-2012
D5245MH	FRONT	HONDA CR-V	2017-2023
D5254MH	REAR	ACURA INTEGRA <USA>	2023
D6039MH	FRONT	MITSUBISHI OUTLANDER PHEV (2400cc) <MEX>	2019.01-
D11502MH	FRONT	KIA NIRO HYBRID (1600cc) <AUS,BRA,GEN,USA>	2022.04-
D11508MH	REAR	KIA NIRO HYBRID (1600cc) <AUS,BRA,GEN,USA>	2022.04-
D20089M	REAR	CHANGAN SADO NG+PLUS 20	
	REAR	CHANGAN CS35 16/20	

■ Newly start Product at Indonesia Factory (Existing MK Item)

D2368 & D9079MH is available in Indonesia from **April** order.

Announcement

■ Holiday Notice

Please be informed that our office will be closed from May **3rd(Fri)** to **6th(Mon)**.

Thank you for your understanding.