

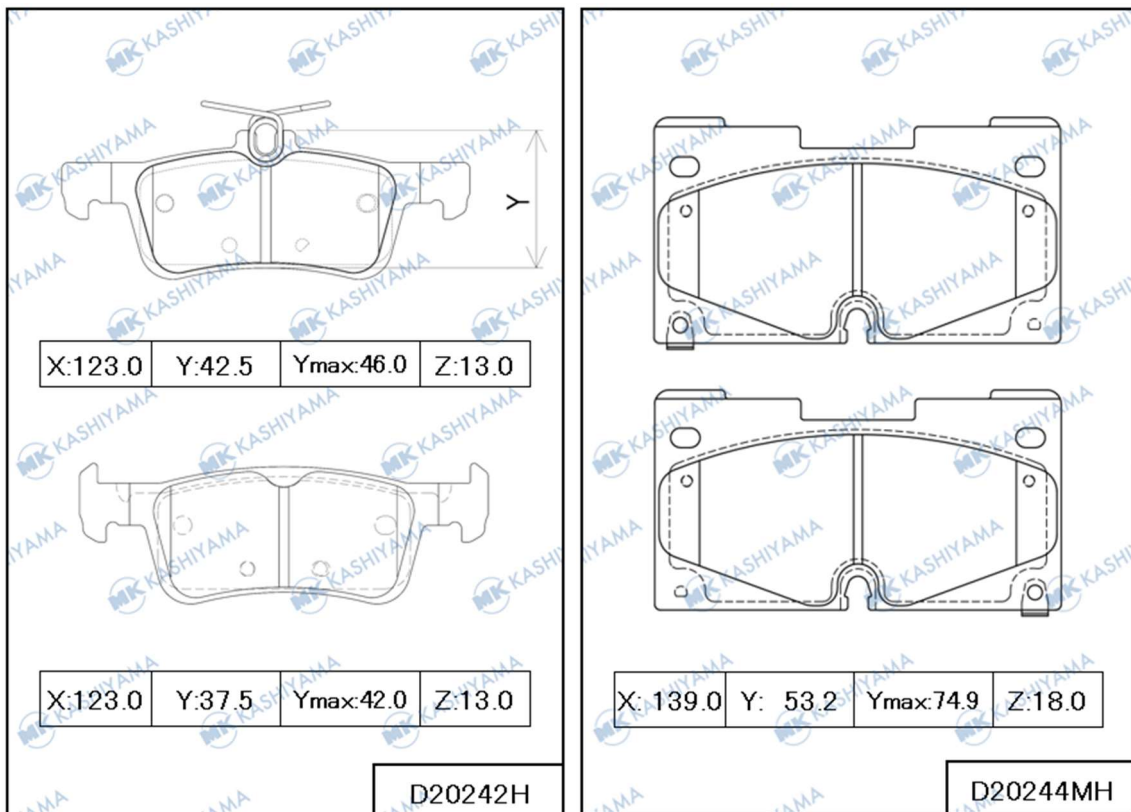
# MK KASHIYAMA ITEM / INTERCHANGE NEWS

## FEBRUARY New Item Information

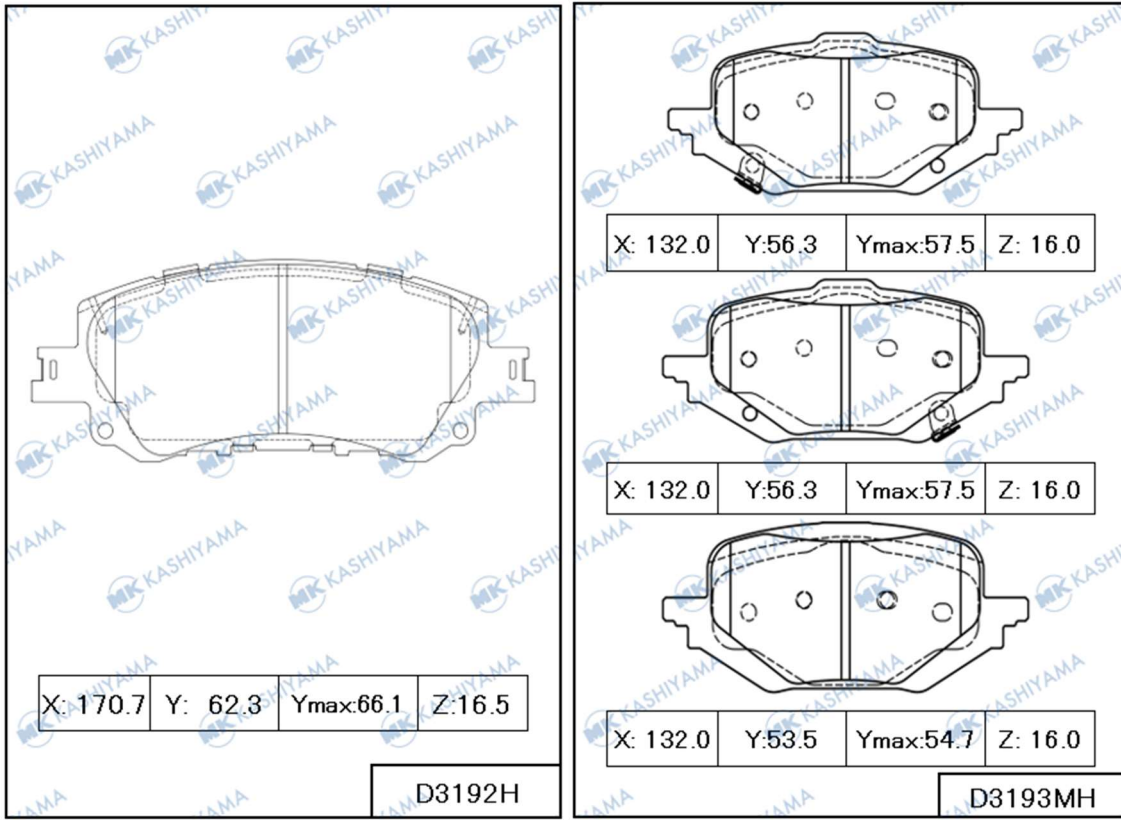
### ■ BRAKE PAD

No.	Position	Application	Quotation Month
D20242H Made in Indonesia FMSI	REAR	FORD FIESTA 1000cc~1500cc 2017- <EUR>	February, 2025
D20244MH Made in Indonesia FMSI D2173	FRONT	CHEVROLET SUBURBAN 3000cc~6200cc 2023- <USA> CHEVROLET TAHOE 3000cc~6200cc 2023- <USA> GMC YUKON 3000cc~6200cc 2023- <USA> GMC YUKON XL 3000cc~6200cc 2023- <USA>	February, 2025
D3192H Made in Indonesia FMSI D2493	FRONT	MAZDA CX-90 2500cc,3300cc 2024- <USA,CAN>	February, 2025
D3193MH Made in Indonesia Made in Japan FMSI	REAR	MAZDA CX-60 2500cc,3300cc 2022.09- <JPN>	February, 2025

## FEBRUARY New Item Drawing Information



# MK KASHIYAMA ITEM / INTERCHANGE NEWS



## Valuable Information

### ■ Newly start Products with SHIM (Existing MK KASHIYAMA Item)

No.	Origin	Quotation Month
D11328MH	Made in Indonesia	February, 2025
D1309MH	Made in Japan	February, 2025
D20050MH	Made in Indonesia	February, 2025
D2348H	Made in Japan	February, 2025
D5144MH	Made in Japan	February, 2025
D5183H	Made in Japan, Indonesia	February, 2025
D6133MH	Made in Japan, Indonesia	February, 2025
D7081MH	Made in Japan	February, 2025

# MK KASHIYAMA ITEM / INTERCHANGE NEWS

## Announcement

### ■ Changing of back-plate hole

We change back plate hole from flat type to dent type for below MK KASHIYAMA Number products. If you have any questions, please do not hesitate to ask us.

<Flat>



<Dent>



No.	Origin
D6109	Made in Japan