

MK item/Interchange News

Date: OCTOBER 8, 2015
No. 15-10

☆ Announcement ☆ Changing for Quantity per carton

We will changing for quantity per carton from receiving October orders of Japanese products as below
Please note that when you order to us.

ITEM	BEFORE CHANGE	AFTER CHANGE	REFERENCE
D2270	12 sets/ct (BOX NO. 23)	8 sets/ct (BOX NO. 12)	* From receiving October orders / Made in Japan

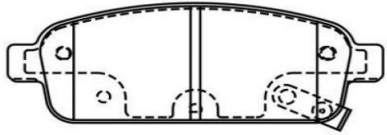
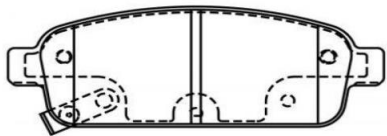
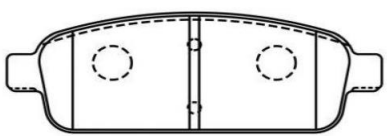
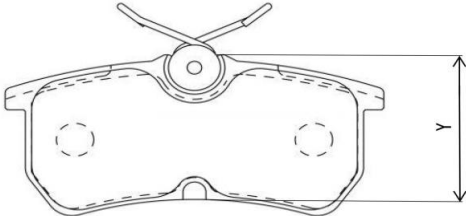
OCTOBER NEW Item Information

BRAKE PAD

MK No.	Application	Releasing Month (accepting order)	Quotation Month
D20001MH Made in Indonesia FMSI NO. D1468	CHEVROLET CRUZE J60 10- CHEVROLET ORLANDO 11- OPEL ASTRA 10-	Oct. 2015	Oct. 2015
D20009H Made in Indonesia FMSI NO. D886	FORD FIESTA CBK 04.01- FORD FIESTA CCN 12.11- FORD FOCUS/C-MAX CAK 98.08-05.05 FORD FUSION CBK 01.11-	Oct. 2015	Oct. 2015

OCTOBER NEW Item Drawing Information

BRAKE PAD

 <div style="border: 1px solid black; padding: 2px; width: fit-content;">X: 116.6 Y: 42.6 Z: 16.8</div>  <div style="border: 1px solid black; padding: 2px; width: fit-content;">X: 116.6 Y: 42.6 Z: 16.8</div>  <div style="border: 1px solid black; padding: 2px; width: fit-content;">X: 116.6 Y: 42.6 Z: 16.0</div> <div style="border: 1px solid black; padding: 2px; width: fit-content; margin-left: auto;">D20001MH</div>	 <div style="border: 1px solid black; padding: 2px; width: fit-content;">X: 87.2 Y: 38.2 Z: 14.3</div> <div style="border: 1px solid black; padding: 2px; width: fit-content; margin-left: auto;">D20009H</div>
--	---

Next coming up information

MK No.
D6154M Made in Japan

NEW Regulation 90 approval Item (for EU market)

As for the MK No. * marks, we have more OE No. information.
Please e-mail to the following address If you want to know the more information.
[e-mail address : mki@mkg.co.jp](mailto:mki@mkg.co.jp)

In another way to find OE No. please use the Product Search in the MK Kashiyama web page.
<http://www.mkg.co.jp/global/en/product/search-by-part-number.html>

MK No.	Application	Approval No.
D4057M	ISUZU D-MAX TFR, TFS 08.07- ISUZU MU-7, ALTERRA UCR, UCS 07.09-	E1 90R-02A0288/0023
D11346H *	VW GOLF 03- VW GOLF PLUS 05- VW GOLF CABRIOLET 12- VW POLO 10- VW PASSAT 03- AUDI A3/S3/SPORTBACK/QUATTRO 03- AUDI A3 CABRIOLET 08- AUDI A4/S4/AVANT/QUATTRO SKODA FABIA 03- SKODA OCTAVIA 03- SEAT IBIZA 03- CITROEN C3 TU1JP, DV4TD CITROEN C3 II TU1A, ET3J4 CITROEN C3 PLURIEL CITROEN C4	E1 90R-02A0214/0022
D30006H	AUDI A3 PR-1KF 04- AUDI A3 Cabriolet PR-1KZ 08- VW Golf PR-1KZ, 1KY 04- VW Golf Plus PR-1KZ 05- VW Touran PR-1KE 03- SKODA Octavia RS, PR-1KF 11-	E1 90R-02A0214/0021

"Valuable information"
Interchange information (Existing MK item)

MK No.	Application	Year
D1288M	BLUEBIRD G11L (1600cc, 2000cc) <CHN>	2006.08-
D1288M	MARCH K13Z (1200cc, 1500cc) <CHN>	2010.07-
D1288M	SUNNY N17Z (1500cc) <CHN>	2010.12-
D1288M	D50, R50 VN10C (1600cc) <CHN>	2013.09-
D1288M	LIVINA, GRAND LIVINA L11Z (1600cc) <CHN>	2013.11-
D2266M	LEXUS RC350 GSC10 (3500cc) <GEN,AUS,GCC>	2014.09-
D2266M	LEXUS GS250, GS450H GRL10 (2500cc), GWL10 (3500cc) <USA,CAN>	2014.09-
D2266M	LEXUS GS250, GS350 AWL10 (2500cc), GRL15 (3500cc) <EUR,GEN,AUS,GCC>	2014.10-
D3134	MX-5 NC (1800cc, 2000cc) <EUR>	2014.02-
D3137M	MAZDA BT-50 UN (2200cc, 2500cc DIESEL, 2600cc, 3000cc DIESEL 4WD) <GEN,COL,ECU,SAU>	2014.07-
D3142	CX-9 TB (3700cc) <RUS,GEN>	2014.01-
D3143	CX-9 TB (3700cc) <RUS,GEN>	2014.01-
D3156	CX-5 KE (2000cc, 2200cc DIESEL) <GEN,ISR,SAU>	2013.11-2014.01
D3156	CX-5 KE (2000cc, 2200cc DIESEL, 2500cc) <EUR,RUS>	2014.12-
D3159H	MAZDA 6 WAGON GJ (2000cc, 2000cc DIESEL, 2500cc) <EUR>	2012.08-
D3159H	MAZDA 6 GJ (2000cc DIESEL, 2500cc) <EUR>	2013.11-
D6100	SPACE STAR A03A (1200cc), A05A (1000cc) <EUR>	2012.11-
D6100	ATTRAGE A13A (1200cc) <EUR>	2013.10-
D6146M	MAZDA 6 WAGON GJ (2000cc, 2000cc DIESEL) <GCC,ISR>	2012.10-
D6146M	MAZDA 6 GJ (2000cc DIESEL, 2500cc) <EUR>	2013.01-
D6146M	MAZDA 6 WAGON GJ (2000cc, 2000cc DIESEL, 2500cc) <EUR>	2013.10-
D7060M	FORESTER (2000cc CVT, 2500cc 6MT, 2500cc CVT) <USA>	2015
D7060M	STI (2500cc TURBO 6MT) <USA>	2015
D7060M	WRX (2000cc 6MT, 2000cc CVT, 2500cc TURBO, 5MT 4WD) <USA>	2015
D7073M	IMPREZA (2000cc 5MT 4WD, 2000cc CVT 4WD) <USA>	2014-2015
D7073M	XV CROSSTREK (2000cc 5MT, 2000cc CVT) <USA>	2014-2015
D7073M	FORESTER (2000cc CVT, 2500cc 6MT, 2500cc CVT) <USA>	2015
K3413	NP300 NAVARA D23T (2500cc DIESEL) <GEN-LHD,KHM,LAO,PHL,THA,VNM>	2014.06-
K3431	MAZDA 2 DE (1300cc, 1500cc, 1600cc DIESEL) <EUR,RUS>	2014.03-
K3431	MAZDA 2 DE (1500cc) <ISR>	2014.03-