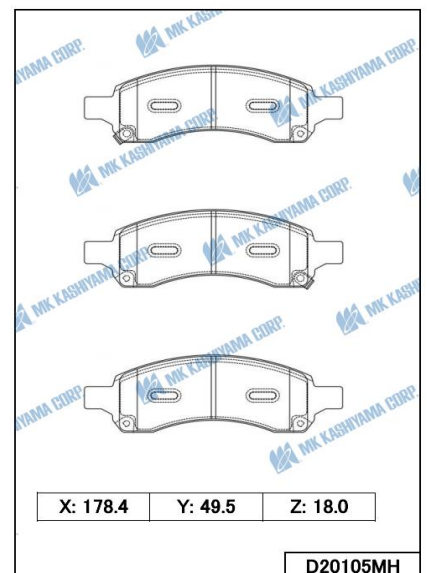
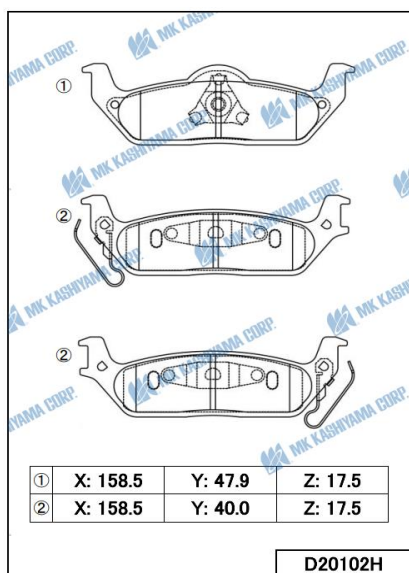
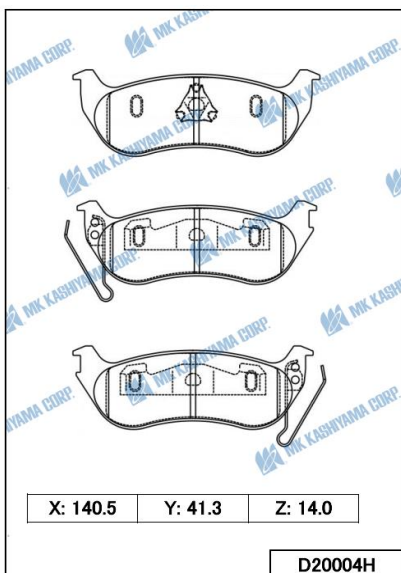
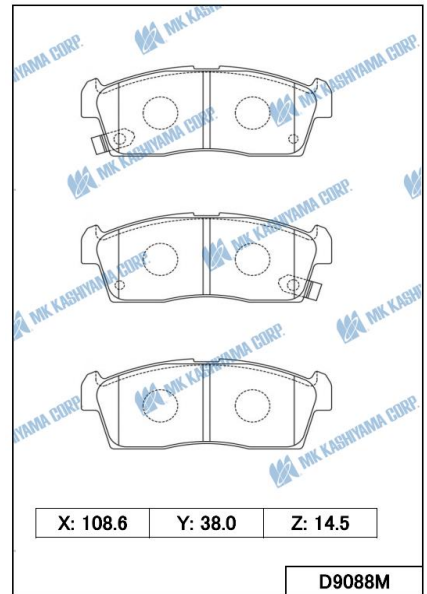
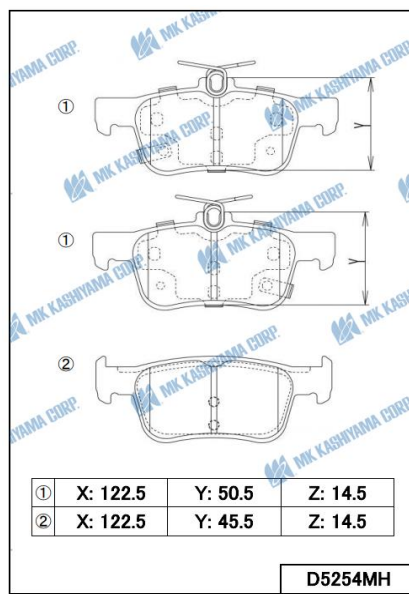
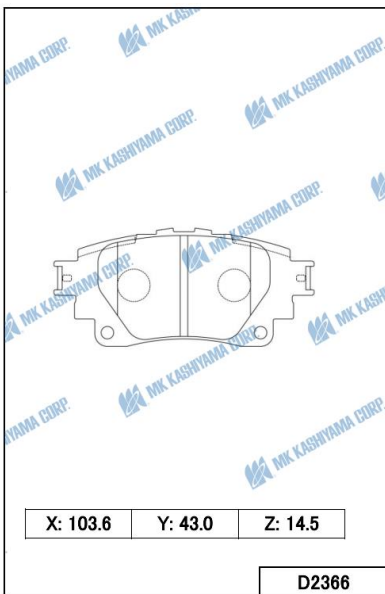
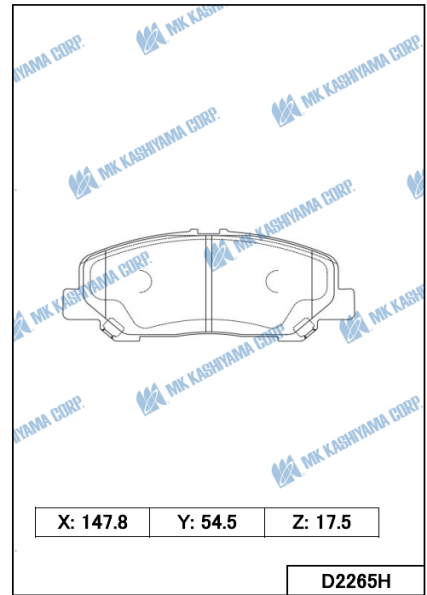
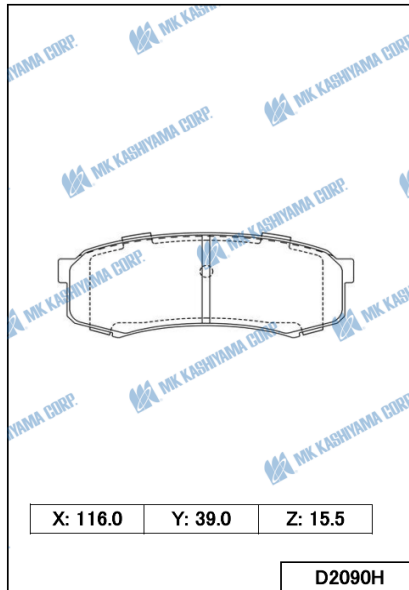
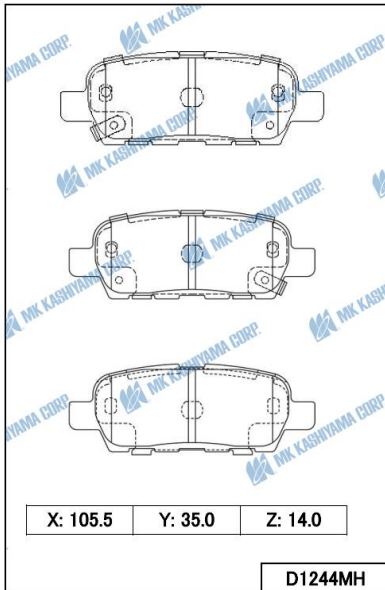


November New Item Information
BRAKE PAD

MK No.	Position	Application	Quotation Month
D1244MH Made in Japan FMSI No D905 D1288	Rear	Infiniti EX J50 (3500cc,3700cc) 08.04-11.01 <RUS,USA,CAN,CHN,KOR,TWN> Infiniti FX S50.S51 (3500cc,4500cc) 06.07-09.08 <EUR,RUS,USA,CAN,TWN,GCC,CHN> Nissan JUKE F15E (1600cc) 10.07- <EUR,USA,CAN> Nissan MURANO Z50 (3500cc) 03.04-08.12 <EUR,USA,CAN,GEN,GCC,PHL> Nissan QASHQAI J10E,J110E (1600cc,2000cc) 06.12-13.12 <EUR,GEN,GCC,THA> Nissan TEANA J31.J32 (2000cc,2300cc,2500cc) 06.04-10.06 <EUR,RUS,GEN,IDN,CHN>	November. 2020
D2090H Made in Indonesia FMSI No D606	Rear	Toyota LAND CRUISER FJ80.KD.J90 90.11-08.12 <EUR,USA,CAN,GEN,GCC> Toyota LAND CRUISER PRADO GRJ120.150 02.09- <EUR,GEN,CHN,GCC> Toyota 4-RUNNER GRN210.TRN280 (2700cc,4000cc,4700cc) 02.08- <USA,CAN,GEN> Lexus GX UZJ120.URJ150 (4600cc,4700cc) 02.11- <EUR,USA,CAN,GEN,GCC> Mitsubishi MONTERO V97W.98W (3200cc,3800cc) 06.09- <EUR,GEN,CHN,GCC> Mitsubishi PAJERO V97W.98W (3200cc,3800cc) 06.09- <EUR,MEX,GEN,CHN,GCC>	November. 2020
D2090H Made in Japan FMSI No D606	Rear	Toyota LAND CRUISER FJ80.KD.J90 90.11-08.12 <EUR,USA,CAN,GEN,GCC> Toyota LAND CRUISER PRADO GRJ120.150 02.09- <EUR,GEN,CHN,GCC> Toyota 4-RUNNER GRN210.TRN280 (2700cc,4000cc,4700cc) 02.08- <USA,CAN,GEN> Lexus GX UZJ120.URJ150 (4600cc,4700cc) 02.11- <EUR,USA,CAN,GEN,GCC> Mitsubishi MONTERO V97W.98W (3200cc,3800cc) 06.09- <EUR,GEN,CHN,GCC> Mitsubishi PAJERO V97W.98W (3200cc,3800cc) 06.09- <EUR,MEX,GEN,CHN,GCC>	November. 2020
D2265H Made in Japan FMSI No D1524	Front	Toyota ALPHARD, VELLFIRE, HYBRID ANH20.GGH30 (2400cc,3500cc) 08.04- <GEN,GCC,PHL> Toyota PREVIA,TARAGO ACR50.AHR20R (2400cc) 06.01- <GEN,AUS,GCC>	November. 2020
D2366 Made in Indonesia FMSI No D2183	Rear	Toyota COROLLA HATCHBACK MZEA12 (2000cc) 18.06- <USA,CAN> Toyota COROLLA MZEA12,NRE210 (1200cc,1800cc,2000cc) 18.06- <AUS,ZAF> Toyota AURIS, HYBRID MZEA12 (2000cc) 18.06- <TWN>	November. 2020
D2366 Made in Japan FMSI No D2183	Rear	Toyota COROLLA HATCHBACK MZEA12 (2000cc) 18.06- <USA,CAN> Toyota COROLLA MZEA12,NRE210 (1200cc,1800cc,2000cc) 18.06- <AUS,ZAF> Toyota AURIS, HYBRID MZEA12 (2000cc) 18.06- <TWN>	November. 2020
D5254MH Made in Indonesia FMSI No D2102	Rear	Honda ACCORD, ACCORD HYBRID (1500cc,2000cc) 2018-2020 <USA> Honda CIVIC 5Door (1500cc) 2020 <USA> Honda INSIGHT (1500cc) 2019-2020 <USA>	November. 2020
D5254MH Made in Japan FMSI No D2102	Rear	Honda ACCORD, ACCORD HYBRID (1500cc,2000cc) 2018-2020 <USA> Honda CIVIC 5Door (1500cc) 2020 <USA> Honda INSIGHT (1500cc) 2019-2020 <USA>	November. 2020
D9088M Made in Indonesia FMSI No D1658	Front	Suzuki CULTUS AVK310 (1000cc) 17.04- <PAK> Mitsubishi I-MIEV HA3V/W,HA4V/W (EV) 09.06- <EUR,USA,CAN,GEN,BRA>	November. 2020
D20004H Made in Indonesia FMSI No D981	Rear	Ford EXPLORER (4000cc,4600cc) 2006-2010 <USA> Jeep LIBERTY (2400cc,2800cc,3700cc) 2003-2007 <USA> Jeep WRANGLER (2400cc) 2003-2006 <USA>	November. 2020
D20102H Made in Indonesia FMSI No D1012	Rear	Ford F-150 (4200cc,4600cc,5400cc) 2004-2010 <USA> Ford F-150 (3500cc,3700cc,5000cc,6200) 2011 <USA> Lincoln MARK LT (5400cc) 2006-2008 <USA>	November. 2020
D20105MH Made in Indonesia FMSI No D1169	Front	Buick RAINIER (4200cc,5300cc) 2006-2007 <USA> Chevrolet COLORADO (2900cc,3700cc,5300cc) 2009-2012 <USA> Chevrolet TRAILBLAZER (4200cc,5300cc) 2006-2009 <USA> GMC CANYON (2900cc,3700cc,5300cc) 2009-2012 <USA> GMC ENVOY (2900cc,3700cc,5300cc) 2009-2012 <USA> GMC ENVOY XL,UL (4200cc,5300cc) 2005-2006 <USA>	November. 2020
D20108MH Made in Indonesia FMSI No D1169	Front	Buick ENCLAVE (3600cc) 2008-2017 <USA> Chevrolet TRAVESE (3600cc) 2009-2017 <USA> GMC ACADIA (3600cc) 2007-2017 <USA> Saturn OUTLOOK (3600cc) 2007-2010 <USA>	November. 2020
D20164H Made in Indonesia FMSI No D881	Rear	Ford EXPLORER (4000cc,5000cc) 2002-2005 <USA> Lincoln AVIATOR (4600cc) 2003-2005 <USA>	November. 2020
D20185MH Made in Indonesia FMSI No D913	Front	Chevrolet EQUINOX (3400cc) 2005-2007 <USA> Pontiac TORRENT (3400cc) 2006 <USA> Saturn VUE (2200cc,2400cc,3000cc,3500cc) 2002-2007 <USA>	November. 2020

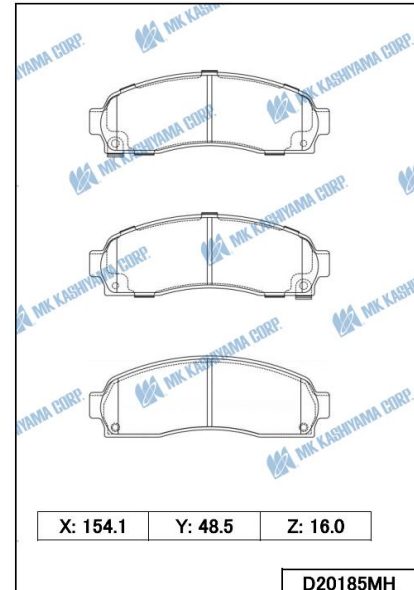
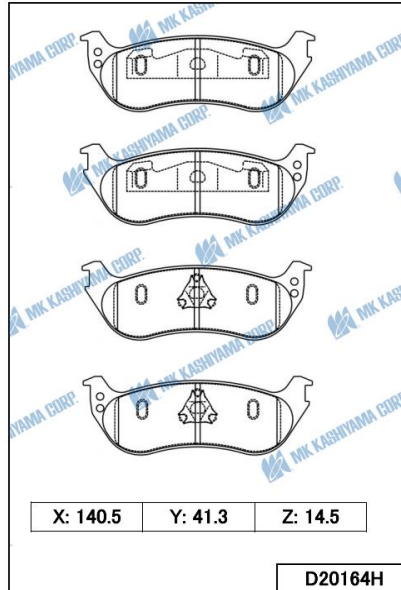
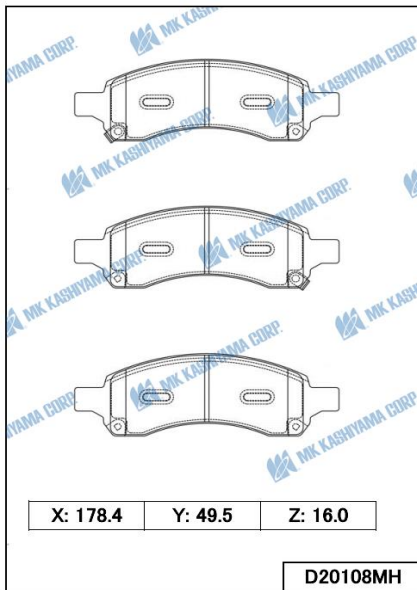
November New Item Drawing Information
BRAKE PAD



MK KASHIYAMA CORP.

MK ITEM / INTERCHANGE NEWS

Date : November 10, 2020
No. 20 - 11



"Valuable information"
Interchange information (Existing MK item)

MK No	Position	Application	Year
D11352MH	Rear	KIA NIRO EV (150kw) <USA>	2020-
D11355MH	Rear	KIA SOUL (1600cc,2000cc) <USA>	2020-
D11373MH	Front	KIA NIRO EV (150kw) <USA>	2020-
D2228MH	Front	TOYOTA 4-RUNNER (4000cc) <USA>	2020-
D2278MH	Front	TOYOTA LAND CRUISER HERITAGE EDITION (5700cc) <USA>	2020-
D2282	Front	DAIHATSU GRAN MAX S403 (1500cc) <BRN,MLT>	2020,06-
D2368	Rear	TOYOTA HIGHLANDER (2500cc,3500cc) <USA>	2020-
D5056MH	Rear	ACURA ILX (2400cc) <USA>	2019-
D5248MH	Rear	HONDA CR-V (1500cc) <USA>	2020-

Newly start production at Indonesia Factory (Existing MK Item)

D6161 is available in indonesia from november order.