

MK ITEM / INTERCHANGE NEWS

February New Item Information

■ BRAKE PAD

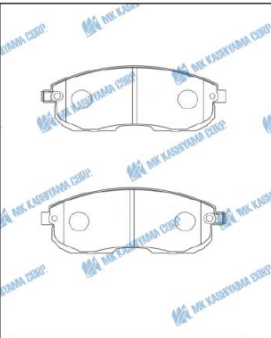
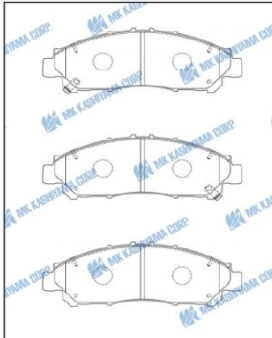
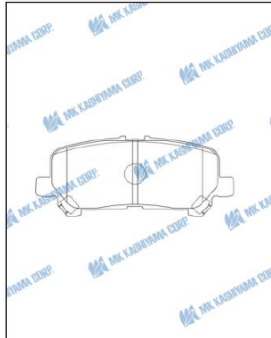
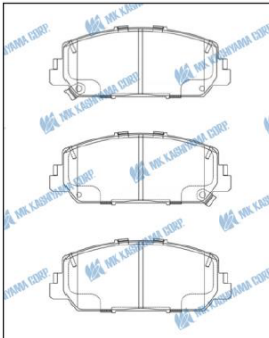
MK No.	Position	Application	Quotation Month
D1316M Made in Japan FMSI No:D815	Front	Nissan JUKE F15E (1600cc) 10.07- <EUR,GEN,IDN,THA,GCC> Nissan ALTIMA L31 (2500cc,3500cc) 01.08-06.10 <USA> Nissan CUBE Z12 09.02- <USA,KOR> Nissan MAXIMA A33B (3000cc,3500cc) 99.10-02.12 <USA,GEN,LA,ME,ZAF> Infiniti I30,I35 CA33 99.07-04.07 <USA>	February. 2021
D2371M Made in Indonesia FMSI No:D2268	Front	Toyota GRAN ACE GDH303W(2800cc) 19.12- <JPN>	February. 2021
D2374 Made in Indonesia FMSI No:D2269	Rear	Toyota GRAN ACE GDH303W(2800cc) 19.12- <JPN>	February. 2021
D5260MH Made in Indonesia FMSI No:D1625 D1697 D1832	Front	Honda ACCORD (2400cc,3500cc) 2016-2017 <USA> Honda CIVIC (1500cc) 2017-2020 <USA> Acura ILX (2400cc) 2016-2020 <USA> Acura RDX (3500cc) 2013-2018 <USA> Acura RLX (3500cc) 2014-2020 <USA>	February. 2021
D20188H Made in Indonesia FMSI No:D1328	Front	Ford E-150,250,350,450 2008-2017 <USA,CHN>	February. 2021
D20189H Made in Indonesia FMSI No:D726	Front	Isuzu HOMBRE 18G,48G 4WD 1996-1999 <USA> Chevrolet BLAZER 4.3L V6 4WD 2001-2005 <USA> GMC SONOMA 4.3L V6 4WD 2001-2004 <USA> Oldsmobile BRAVADE 4.3L V6 4WD 2001 <USA>	February. 2021

■ BRAKE SHOE

MK No.	Position	Application	Quotation Month
K11238 Made in Indonesia	Rear	Kia MORNING,PICANTO (1000cc,1200cc) 10.12-17.01 <EUR,KOR,GEN,ME>	February. 2021

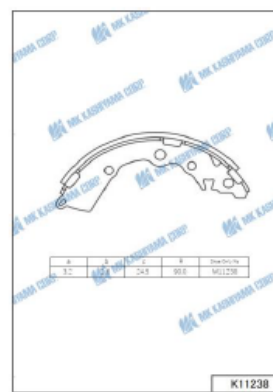
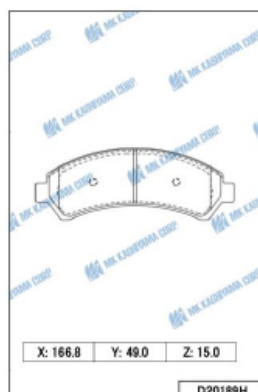
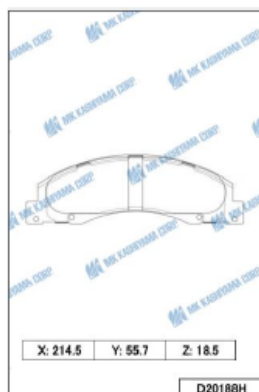
February New Item Drawing Information

■ BRAKE PAD

 <p>X: 137.0 Y: 48.0 Z: 15.5</p> <p>D1316M</p>	 <p>X: 170.0 Y: 51.7 Z: 17.5</p> <p>D2371M</p>	 <p>X: 113.4 Y: 41.2 Z: 17.0</p> <p>D2374</p>	 <p>X: 148.8 Y: 60.0 Z: 17.0</p> <p>D5260MH</p>
---	---	---	--

MK ITEM / INTERCHANGE NEWS

■ BRAKE PAD & SHOE



Valuable Information

■ Newly start production with Shim (Existing MK Item)

MK No.	Position	Application	Quotation Month
D1155H Made in Indonesia	Front	Nissan 180SX,SILVIA RS13,S13 91.09-93.12 <EUR> Nissan MAXIMA HJ30,J30 88.12-91.10 <EUR>	February. 2021
D1316MH Made in Indonesia FMSI No:D815	Front	Nissan JUKE F15E (1600cc) 10.07- <EUR,GEN,IDN,THA,GCC> Nissan ALTIMA L31 (2500cc,3500cc) 01.08-06.10 <USA> Nissan CUBE Z12 09.02- <USA,KOR> Nissan MAXIMA A33B (3000cc,3500cc) 99.10-02.12 <USA,GEN,LA,ME,ZAF> Infiniti I30,I35 CA33 99.07-04.07 <USA>	February. 2021
D1336MH Made in Indonesia FMSI No:D1736	Front	Nissan X-TRAIL T32 (2000cc,2500cc) 3ROW 14.04- <EUR,MEX,CHN,GEN,LA,GCC,ZAF> Nissan ROGUE T32 (2500cc) 13.10- <USA,CAN> Infiniti Q50,Q60 V37 (2000c,3700cc) 13.05- <USA,CAN,MEX,KOR,GEN,GCC,CHN> Infiniti QX50 J50,J55X (2000c,3700cc) 15.07- <USA,CAN,GCC,KOR,TWN,CHL>	February. 2021
D1339H Made in Japan FMSI No:D1737	Front	Nissan QASHQAI J11 (1200cc,2000cc) 13.12- <EUR,RUS,CAN,CHN,ZAF,GEN,CHN> Nissan X-TRAIL T32 (2000cc,2500cc) 3ROW 14.04- <EUR,MEX,CHN,GEN,LA,GCC,ZAF> Nissan ROGUE T32 (2500cc) 13.10- <USA,CAN>	February. 2021
D2048MH Made in Japan FMSI No:D352	Rear	Toyota COROLLA, SPRINTER AE80,82,90,101 83.05-95.05 <EUR,USA,CAN,GEN>	February. 2021
D2053MH Made in Indonesia FMSI No:D325	Rear	Toyota CAMRY CV20,SV20,VZV21 86.10-91.06 <EUR,USA,CAN,GEN> Toyota CARINA2 AT170,CT171,ST171 87.12-91.06 <EUR> Toyota CELICA AT160,ST160,ST182,ST185 85.08-91.01 <EUR,USA,CAN,GEN> Toyota CORONA ST171 87.12-91.06 <GEN>	February. 2021
D2082MH Made in Indonesia FMSI No:D436	Front	Toyota HILUX LN105,108,165,170,KDN165 88.08-05.08 <EUR,MEX,GEN,AUS,AUS,GCC> Toyota 4-RUNNER LN130,VZN61,RN120,121,130,131 87.11-95.11 <USA,CAN,GEN,GCC,AUS> Toyota LAND CRUISER BJ40,FJ40,FJ70,RJ70 75.09-07.01 <GEN,AUS,GCC,ZAF>	February. 2021

MK ITEM / INTERCHANGE NEWS

D2086H Made in Indonesia FMSI No:D2004	Front	Toyota HIACE LH100,RZH100,110,125 89.09-06.02 <EUR,GEN> Toyota HILUX LN145,150,KDN145,150 97.08-05.08 <EUR>	February. 2021
D2117MH Made in Indonesia FMSI No:D611	Front	Toyota 4-RUNNER RN120,130,VZN120,130 91.06-95.11 <EUR,USA,CAN,AUS> Toyota T100 VCK21 92.08-98.07 <USA,CAN>	February. 2021
D2160MH Made in Indonesia FMSI No:D436	Front	Toyota LAND CRUISER 90 KDJ90,95,RZJ90,95 96.04-08.12 <EUR,GEN,AUS,GCC,MYS> Toyota 4-RUNNER RZN180,185,VZN180,185 95.11-02.08 <EUR,USA,CAN,GEN> Toyota TACOMA RZN161,171,191,VZN160,170,195 95.01-04.09 <USA,CAN>	February. 2021
D2165MH Made in Japan	Rear	Toyota COROLLA,SPRINTER AE90,101,CE90,101,EE90,100 87.05-04.12 <EUR,GEN>	February. 2021
D2303H Made in Indonesia FMSI No:D1523	Front	Toyota HILUX KUN15,25,TGN15,16,GGN15,25 04.08-15.04 <EUR,GEN,AUS,GCC,IDN> Toyota INOVA,KIJANG TGN40 13.09-16.01 <MYS>	February. 2021
D2344H Made in Japan	Rear	Toyota NOAH,VOXY ZRR80 14.01- <GEN>	February. 2021
D2354H Made in Indonesia FMSI No:D2058	Front	Toyota HILUX GUN112,122,KUN112,122,TGN110,120 15.05- <GCC,GEN,IDN,PHL,THA,ZAF>	February. 2021
D3062MH Made in Indonesia FMSI No:D466	Front	Mazda 323,323F BG,BA,BE,BC 89.05- <EUR,CHE,UK,USA,CAN,GEN,CHN,GCC,PH> Mazda DEMIO DW 98.04- <UK,EUR,GEN,COL> Mazda PROTÉGÉ BG,BB 92.01- <BRA> Kia RIO (1300cc,1500cc) 99.11-02.07 <EUR,CIS,USA,CAN,KOR,GEN,ME,AUS> Kia AVELLA (1300cc,1500cc) 94-00.02 <KOR,GEN> Ford LASER BG 89.07-94.06 <UK,EUR,CHE>	February. 2021
D5110MH Made in Japan	Front	Honda LIFE DUNK JB3,4 (660cc) 98.10-03.08 <JPN> Honda THA'S JD1,2 W/TURBO (660cc) 02.02-07.06 <JPN> Subaru DIAS WAGON TW1,2 (660cc) 02.06-09.08 <JPN>	February. 2021
D5191H Made in Indonesia FMSI No:D1585 D1724	Rear	Honda PILOT (3500cc) 2012-2020 <EUR,USA,GEN,PHL> Honda PASSPORT (3500cc) 2019-2020 <USA> Honda RIDGELINE (3500cc) 2017-2020 <USA> Acura MDX (3500cc) 2014-2016 <USA>	February. 2021
D6014H Made in Indonesia	Front	Mitsubishi GALANT A163,167 1981- <EUR,GEN> Mitsubishi L300 L032,L03G,L039 81.08-08.10 <EUR,GEN> Mitsubishi MONTERO L042G,L044G,L048G 83.01-91.06 <EUR,USA,GEN,GCC> Mitsubishi PAJERO L042G,L044G,L047G,L049G 83.01-87.06 <EUR,USA,GEN,GCC>	February. 2021
D6018MH Made in Indonesia FMSI No:D349	Front	Mitsubishi L200 K11T,K12T,K14T,K34T 86.11-01.03 <EUR,USA,GEN,GCC> Mitsubishi L300 P02V,P03V,P23V,P24V 86.11-08.10 <EUR,RUS,GEN,CHL,GCC,RHL> Mitsubishi MONTERO L042G,L044G,L141 83.01-91.06 <EUR,USA,GEN,GCC> Mitsubishi PAJERO L042G,L043G,L044G,V12V,V34V 83.01-04.04 <EUR,CIS,GEN,GCC>	February. 2021

MK ITEM / INTERCHANGE NEWS

2. Changed compatible MK No. by difference each pad thickness.

OE No.	Position	MK Old Compatible No.	Thickness		MK New Compatible No.	Thickness
D1060-EW81B	Front	D1119M	17.0mm	➔	D1316M	15.5mm
41060-SY790	Front	D1119M	17.0mm		D1316M	15.5mm
41060-8J090	Front	D1119M	17.0mm		D1316M	15.5mm
41060-ZB590	Front	D1119M	17.0mm		D1316M	15.5mm
AY040-NS115	Front	D1119M	17.0mm		D1316M	15.5mm
AY040-NS148	Front	D1119M	17.0mm		D1316M	15.5mm
AY040-NS155	Front	D1119M	17.0mm		D1316M	15.5mm
AY040-NS162	Front	D1119M	17.0mm		D1316M	15.5mm
D1060-1FC0A	Front	D1119M	17.0mm		D1316M	15.5mm
D1060-EM30C	Front	D1119M	17.0mm		D1316M	15.5mm
D1060-EW81A	Front	D1119M	17.0mm		D1316M	15.5mm
D1060-EW81A-C107	Front	D1119M	17.0mm		D1316M	15.5mm
41060-2Y990	Front	D1119M	17.0mm		D1316M	15.5mm
AY040-NS103	Front	D1119M	17.0mm		D1316M	15.5mm
AY040-NS848	Front	D1119M	17.0mm		D1316M	15.5mm