

# MK ITEM / INTERCHANGE NEWS

## July New Item Information

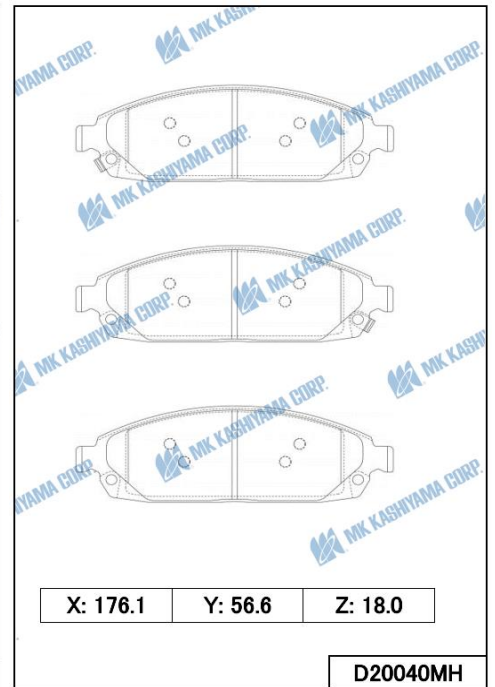
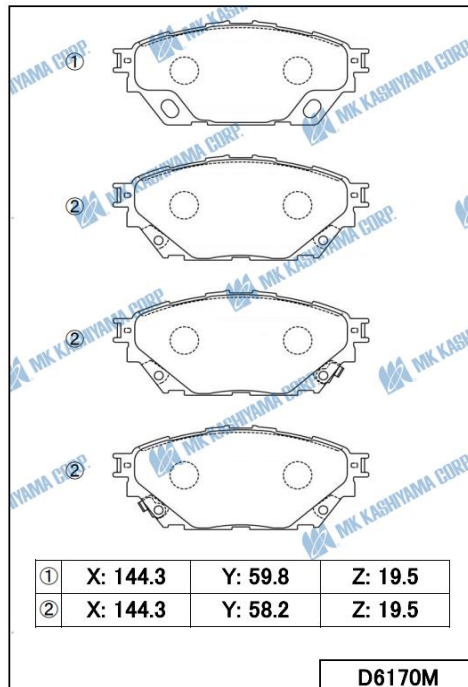
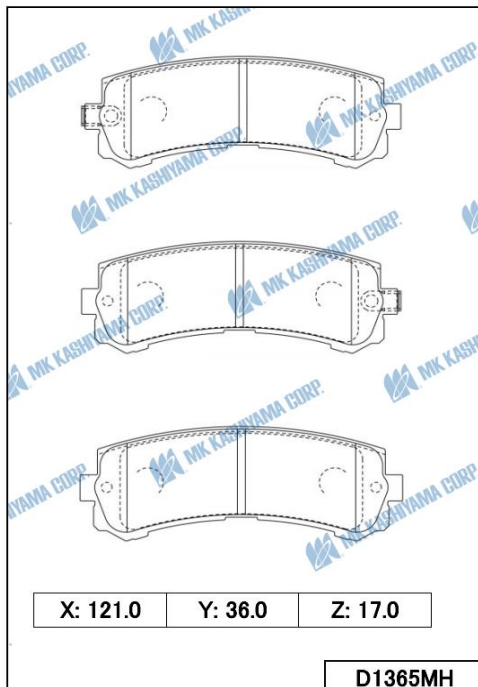
### ■ BRAKE PAD

MK No.	Position	Application	Quotation Month
D1365MH Made in Indonesia FMSI No: D1959	Rear	Nissan SAFARI (Y61 TB48DE) 1997.08- <EUR,GEN,ME,AUS,GCC>	July. 2021
D6170M Made in Japan	Front & Rear	Fuso CANTER (FBAV0,FEAV0,FEDS0) 2019.05- <JPN>	July. 2021
D20040MH Made in Indonesia FMSI No: D1080	Front	Jeep COMMANDER (3.7L V6,4.7L V8, 5.7L V8) 2006-2010 <USA> Jeep GRAND CHEROKEE (3.0L Diesel Turbo V6, 3.7L V6, 4.7L V8, 5.7L V8) 2005-2010 <USA>	July. 2021
D20179MHP Made in Indonesia FMSI No: D2085	Front	Ford EVEREST (2.2L Diesel Turbo, 3.2L Diesel Turbo) 2015- <VNM>	July. 2021
D20182MHP Made in Indonesia FMSI No: D2080	Rear	Ford EVEREST (2.2L Diesel Turbo, 3.2L Diesel Turbo) 2015- <VNM>	July. 2021
D20226MH Made in Indonesia FMSI No: D1528	Front	Ford TOURNEO TT9 (2200cc,2300cc,2400cc,3200cc FWD) 2006-2014 <EUR> Ford TRANSIT TT9 (2200cc,2300cc,2400cc,3200cc FWD) 2006-2014 <EUR>	July. 2021

※ "P" means that D20179MH and D20182MH with the Spring.

## July New Item Drawing Information

### ■ BRAKE PAD



# MK ITEM / INTERCHANGE NEWS

**D20179MHP**

X: 184.5	Y: 64.0	Z: 18.0
----------	---------	---------

\* With the Spring.

**D20182MHP**

①	X: 148.1	Y: 57.5	Z: 16.0
②	X: 148.1	Y: 47.8	Z: 16.0

\* With the Spring.

**D20226MH**

X: 164.9	Y: 54.4	Z: 18.0
----------	---------	---------

\* ENCLOSED : Wear indicator (1 pce.)

## Valuable Information

### ■ Newly start Products with SHIM (Existing MK Item)

MK No.	Origin	Quotation Month
D4029MH	Made in Japan / Indonesia	July. 2021

### ■ Interchange Information (Existing MK Item)

MK No.	Position	Application	Year
D9027	Front	SUZUKI STINGRAY 1000cc PETROL <IND>	2013.09-
K9003	Rear	SUZUKI ERTIGA AVI414 <IDN>	-
K9003	Rear	SUZUKI SX4 1300cc,1600cc <IND>	2006.03-2014.04

### ■ Changed SETS/CTN Products (Existing MK Item)

Since starting or planning to start with SHIM products, inner box size will be bigger than before for fit with SHIM products. This is why sets/ctn of without SHIM products also changed.

Below products will be changed from JULY Order (End of OCTOBER shipment).

#### <From End of October shipment>

MK No.	Previous	Present	Origin
D3182M	15 sets/ctn	12 sets/ctn	Made in Japan / Indonesia