

MK NEWS

22-10

MK ITEM / INTERCHANGE NEWS

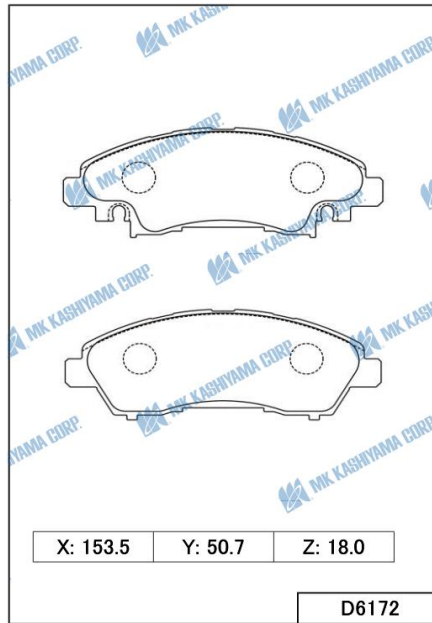
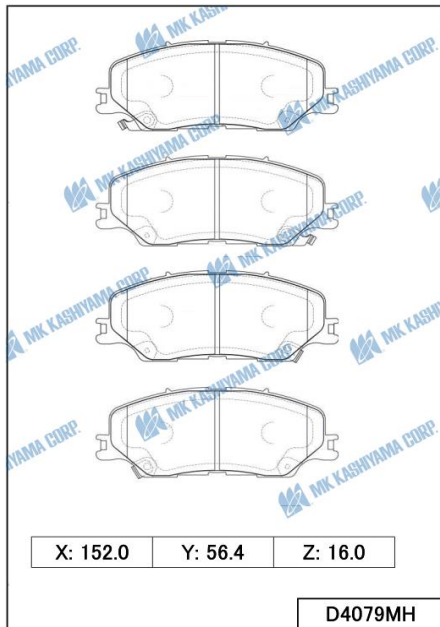
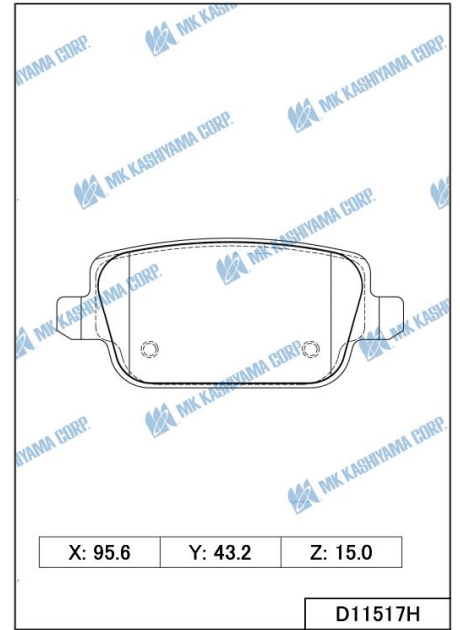
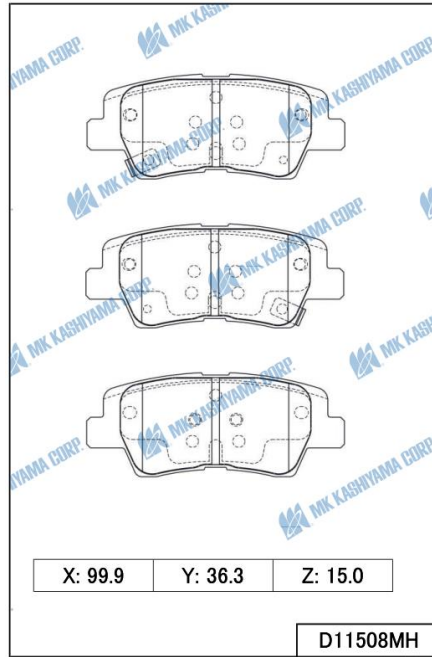
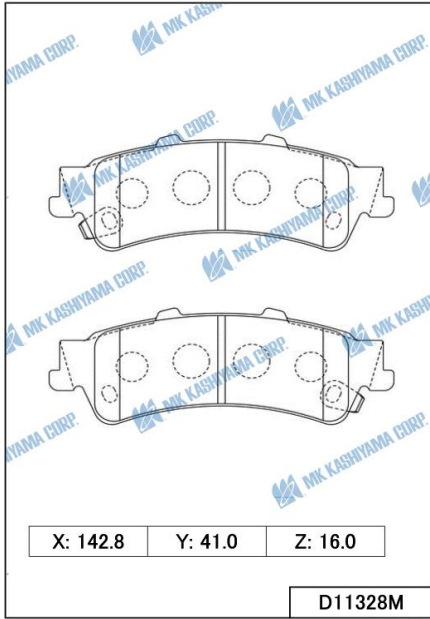
October New Item Information

■ BRAKE PAD

MK No.	Position	Application	Quotation Month
D11328M Made in Indonesia FMSI: D792	Rear	CHEVROLET ASTRO 4300cc 03-05 <USA> CHEVROLET SILVERRADO 1500 4300~5300cc 99-08 <USA> CHEVROLET SILVERRADO HYBRID 5300cc 04-07 <USA> CHEVROLET SILVERRADO SS 6000cc 03-07 <USA>	October. 2022
D11508MH Made in Indonesia FMSI: D2395	Rear	HYUNDAI AVANTE 1600/2000cc 20.09- <EUR> HYUNDAI ELANTRA 1600/2000cc 20.06- <RUS,EUR,USA,CAN,GEN,ME>	October. 2022
D11517H Made in Indonesia FMSI:	Rear	FORD FOCUS RS 2500cc 09-11 <EUR> FORD GALAXY 1000/1600/2000cc 06-15 <EUR> FORD KUGA 2000/2500cc 08-12 <EUR> FORD MONDEO 1600~2500cc 07-14 <EUR,CHN> FORD S-MAX 1800~2300cc 06-15 <EUR,CHN>	October. 2022
D4079MH Made in Indonesia FMSI:	Front	Isuzu D-MAX TFR/TFS 4WD 1900/3000cc 20- <THA,GEN> Mazda BT-50 TF 4WD 1900/3000cc 20- <THA,GEN>	October. 2022
D6172 Made in Japan FMSI:	Front & Rear	FUSO CANTER FBA00 3000cc 19.04- <JPN>	October. 2022

October New Item Drawing Information

■ BRAKE PAD



Valuable Information

■ Newly start Products with SHIM (Existing MK Item)

MK No.	Origin	Quotation Month
D1133MH	Made in Indonesia	October. 2022
D1136MH	Made in Indonesia	October. 2022
D1158H	Made in Indonesia	October. 2022
D1176H	Made in Indonesia	October. 2022
D1215MH	Made in Japan	October. 2022
D1239MH	Made in Japan	October. 2022
D2179H	Made in Indonesia	October. 2022
D2198MH	Made in Indonesia / Made in Japan	October. 2022
D2253H	Made in Indonesia	October. 2022
D2260MH	Made in Indonesia	October. 2022
D2344H	Made in Japan	October. 2022
D2370H	Made in Indonesia	October. 2022
D3109H	Made in Indonesia	October. 2022
D3143H	Made in Indonesia	October. 2022
D5053MH	Made in Indonesia	October. 2022
D5070MH	Made in Indonesia	October. 2022
D5080MH	Made in Indonesia	October. 2022
D5091MH	Made in Indonesia	October. 2022
D5174MH	Made in Indonesia	October. 2022
D5214MH	Made in Indonesia	October. 2022
D5226MH	Made in Japan	October. 2022
D9037MH	Made in Japan	October. 2022

■ Interchange information (Existing MK item)

MK No.	Position	Application	Year
D1370H	Rear	NISSAN ALTIMA L34 (2000cc TURBO,2500cc) <EUR,USA,CAN,MEX,GCC,TWN,CHN,KOR,LA>	2018.08-
D2368	Rear	TOYOTA NOAH/VOXY MZRA90 (2000cc) <GEN>	2022.01-
D4075MH	Front	ISUZU D-MAX (1900,3000cc) <THA,GEN>	2020-
K4470	Rear	ISUZU D-MAX (1900,2500,3000cc) <THA,GEN>	2012-2019
K4473	Rear	ISUZU D-MAX (1900,2500,3000cc) <THA,GEN>	2012-2019
K4473	Rear	MAZDA BT-50 <GEN>	2020-
K4473	Rear	ISUZU D-MAX (1900,3000cc) <THA,GEN>	2020-
K4473	Rear	ISUZU D-MAX (1900,3000cc) <THA,GEN>	2020-

Announcement

■ Changed SETS/CTN Products (Existing MK Item)

Since starting or planning to start with SHIM products, inner box size will be bigger than before for fit with SHIM products. This is why sets/ctn of without SHIM products also changed.

Below products will be changed from OCTOBER Order (End of JANUARY shipment).

<From OCTOBER Order>

MK No.	Previous		Present	Origin
D1133M	24 sets/ctn	➔	13 sets/ctn	Made in Indonesia / Made in Japan
D1158	24 sets/ctn		13 sets/ctn	Made in Indonesia / Made in Japan
D5070M	15 sets/ctn		12 sets/ctn	Made in Indonesia / Made in Japan
D5174M	15 sets/ctn		12 sets/ctn	Made in Indonesia / Made in Japan

Below products will be changed from NOVEMBER Order (End of FEBRUARY shipment).

<From NOVEMBER Order>

MK No.	Previous		Present	Origin
D1136M	18 sets/ctn	➔	13 sets/ctn	Made in Indonesia / Made in Japan
D1176	18 sets/ctn		13 sets/ctn	Made in Indonesia / Made in Japan
D5080M	15 sets/ctn		12 sets/ctn	Made in Indonesia / Made in Japan
D5091M	15 sets/ctn		12 sets/ctn	Made in Indonesia / Made in Japan

■ PAD thickness change Item (Existing MK Item)

D1083 - PAD thickness 15.0 mm → 14.5 mm. It has been applied since September 2022 your orders.