

# MK ITEM / INTERCHANGE NEWS

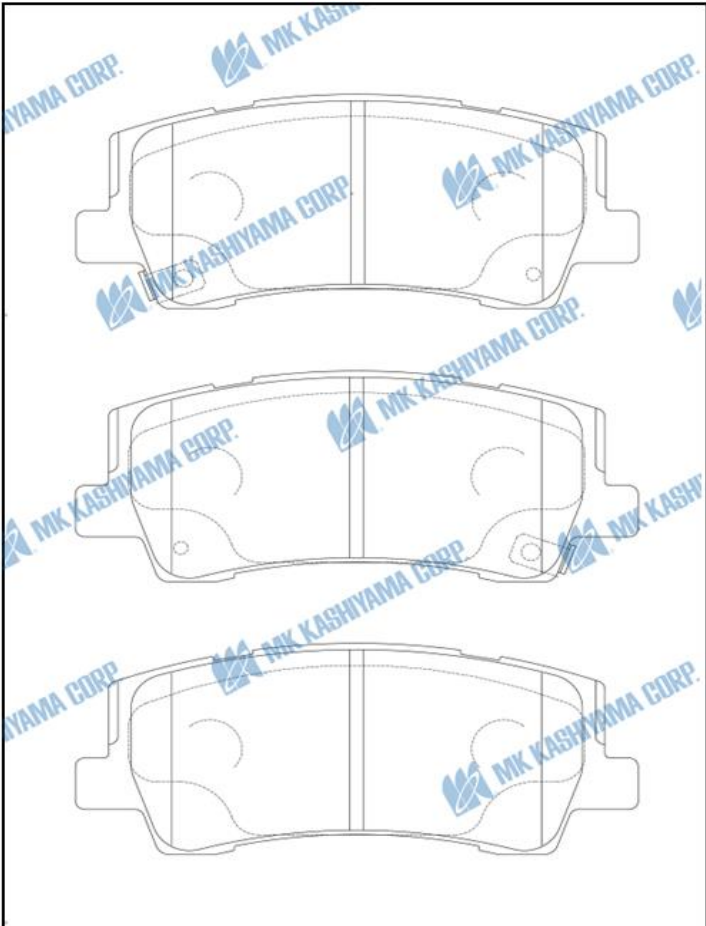
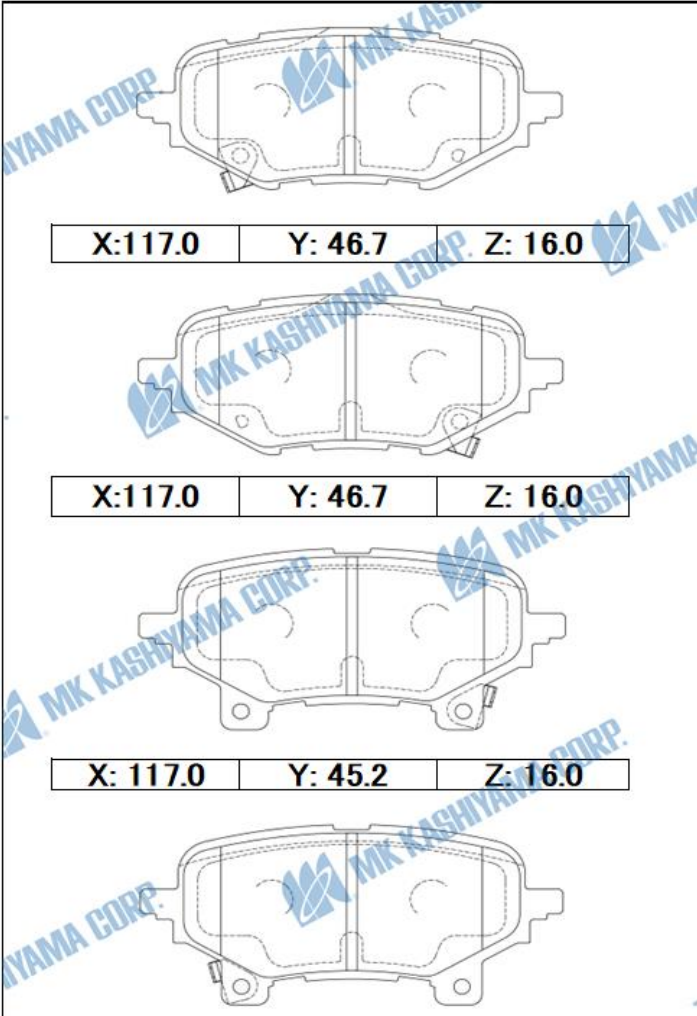
## OCTOBER New Item Information

### ■ BRAKE PAD

MK No.	Position	Application	Quotation Month
D11539MH Made in Indonesia	Rear	Kia TELLURIDE 3800cc W/O EPB 2018.12- <ME,GEN>	October, 2023
D4083MH Made in Indonesia	Rear	Isuzu MU-X UCR/UCS 1900cc,3000cc 2021.03- <GEN,THA>	October, 2023

## OCTOBER New Item Drawing Information

### ■ BRAKE PAD

 <div data-bbox="124 1892 718 1960" style="border: 1px solid black; padding: 5px;"> <p>X: 119.7    Y: 45.0    Z: 15.0</p> </div> <div data-bbox="558 2027 794 2067" style="border: 1px solid black; padding: 5px;"> <p>D11539MH</p> </div>	 <div data-bbox="853 1176 1428 1220" style="border: 1px solid black; padding: 5px;"> <p>X:117.0    Y: 46.7    Z: 16.0</p> </div> <div data-bbox="853 1422 1428 1467" style="border: 1px solid black; padding: 5px;"> <p>X:117.0    Y: 46.7    Z: 16.0</p> </div> <div data-bbox="853 1702 1428 1747" style="border: 1px solid black; padding: 5px;"> <p>X: 117.0    Y: 45.2    Z: 16.0</p> </div> <div data-bbox="853 1971 1428 2016" style="border: 1px solid black; padding: 5px;"> <p>X: 117.0    Y: 45.2    Z: 16.0</p> </div> <div data-bbox="1276 2027 1501 2067" style="border: 1px solid black; padding: 5px;"> <p>D4083MH</p> </div>
---	--

# MK ITEM / INTERCHANGE NEWS

## Valuable Information

### ■ Changing of back-plate hole

We change back plate hole from flat type to dent type for below MK Number products.

If you have any questions, please do not hesitate to ask us.

<Flat>



<Dent>



MK No.	Origin
D2213	Made in Japan

\*No update information of Interterchange or SHIM production in this month MK NEWS.