

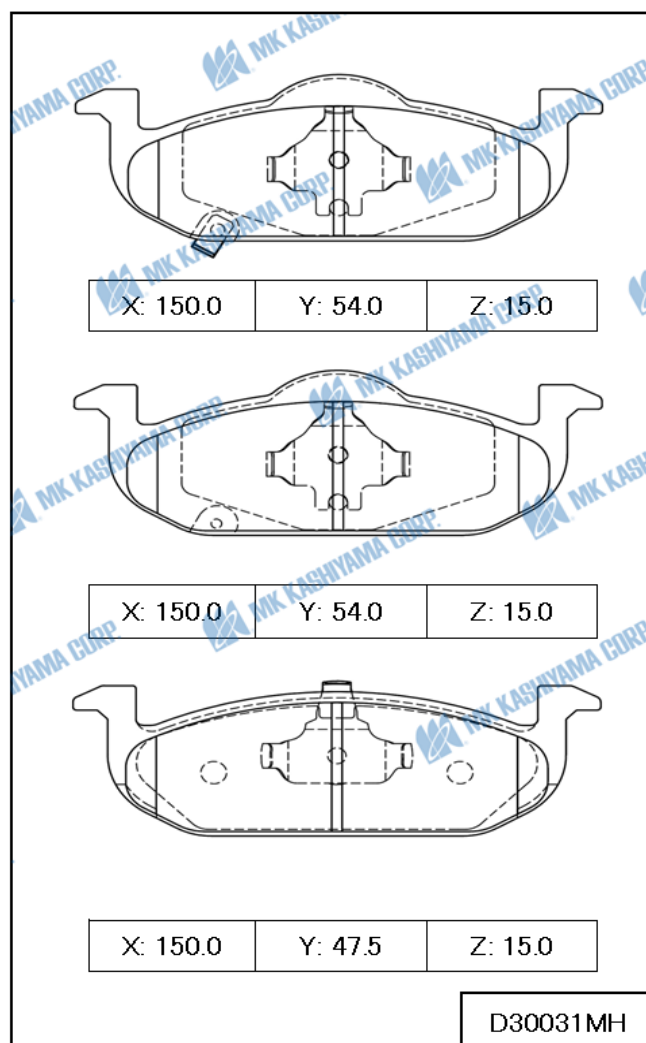
MK ITEM / INTERCHANGE NEWS

FEBRUARY New Item Information

■ BRAKE PAD

MK No.	Position	Application	Quotation Month
D30031MH Made in Indonesia FMSI D2317	Front	MG 3 1300cc,1500cc 2011- <EUR,GEN> MG 5 1500cc 2012-2019 <EUR,GEN>	February,2024

FEBRUARY New Item Drawing Information



Valuable Information

■ Newly start Products with SHIM (Existing MK Item)

MK No.	Origin	Quotation Month
D11151MH	Made in Indonesia	February, 2024
D3099H	Made in Indonesia, Japan	February, 2024
D5171MH	Made in Indonesia	February, 2024

MK ITEM / INTERCHANGE NEWS

■ Newly start Product (Existing MK Item)

Below items are available from February order.

MK No.	Origin
D0011	Made in Indonesia
D2310M	Made in Indonesia, Japan
D5245MH	Made in Indonesia, Japan

If you require drawing please refer our web site catalogue.

■ Changed sets/carton Items (Existing MK Item)

Since starting or planning to start with SHIM products, inner box size will be bigger than before for fit with SHIM products. This is why sets/carton of without SHIM products also changed. Below products will be changed.

<From February Order>

MK No.	Previous	Present	Origin
D0011	24 sets/ctn	13 sets/ctn	Made in Japan

<From March Order> (REMIND)

MK No.	Previous	Present	Origin
D9044	15 sets/ctn	12 sets/ctn	Made in Japan

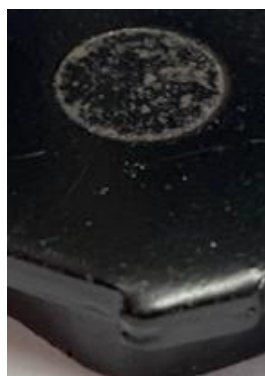
Announcement

■ Changing of back-plate hole

We change back plate hole from flat type to dent type for below MK Number products.

If you have any questions, please do not hesitate to ask us.

<Flat>



<Dent>



MK No.	Origin
D3170	Made in Japan
D7037M	Made in Japan
D7069	Made in Japan
D7070M	Made in Japan
D7078M	Made in Japan
D9005M	Made in Japan
D9016	Made in Japan
D9066M	Made in Japan