

MK item/Interchange News

Date: FEBRUARY 13, 2015
No. 15-02

☆ Announcement ☆ Changing for Quantity per carton

We will changing for quantity per carton as below.
Please note that when you ordering.

ITEM	BEFORE CHANGE	AFTER CHANGE	REFERENCE
D11187	24 sets/ct (BOX NO. 19)	13 sets/ct (BOX NO. 14)	* From receiving February orders / Indonesia * From receiving March orders / Japan
D5094M	15 sets/ct (BOX NO. 18)	12 sets/ct (BOX NO. 12)	* From receiving March orders / Japan

FEBRUARY NEW Item Information

BRAKE PAD

MK No.	Application	Releasing Month (accepting order)	Quotation Month
D5159MH Made in Indonesia	HONDA CR-V 2.0 Petrol 01/07- HONDA CR-V 2.0 Diesel Turbo 01/07-	Feb. 2015	Feb. 2015
D11341H Made in Indonesia	VW GOLF7 GTI	Feb. 2015	Feb. 2015
D11346H Made in Indonesia FMSI No. D894	VW GOLF	Feb. 2015	Feb. 2015

- TO BE CONTINUED TO NEXT PAGE -

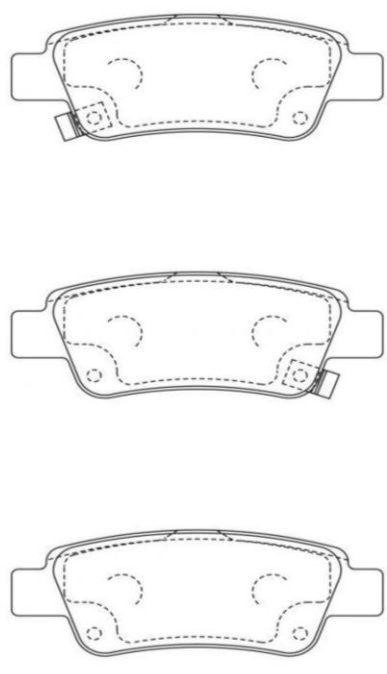
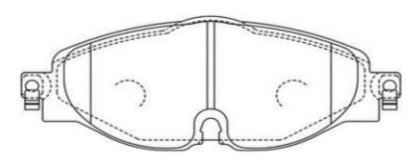
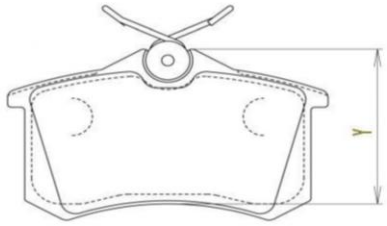
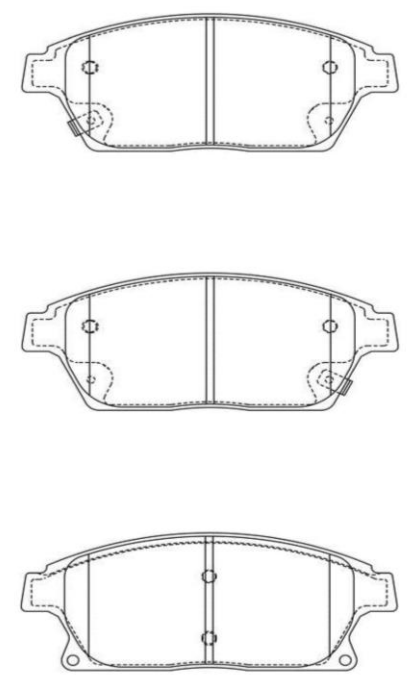
D11349MH Made in Indonesia FMSI No. D1467	CHEVROLET CRUZE J60 10-	Feb. 2015	Feb. 2015

BRAKE SHOE

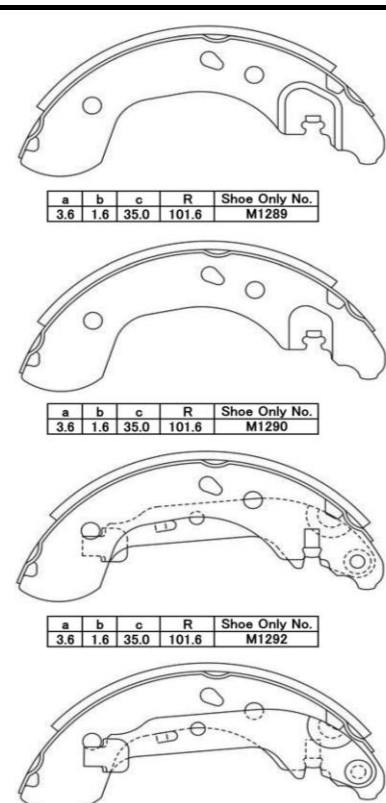
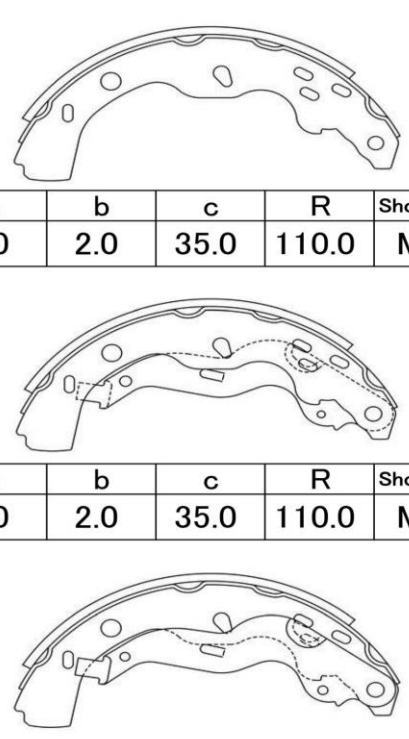
MK No.	Application	Releasing Month (accepting order)	Quotation Month
K1289 Made in Japan Made in Indonesia FMSI No. S1020	NISSAN VERSA SEDAN N17X 11.06-	【Japan】	
	NISSAN VERSA NOTE E12X 13.04-	Mar. 2015	Mar. 2015
	NISSAN SUNNY N17Z 10.12-		
	NISSAN ALMERA N17T 11.09-		
	NISSAN SUNNY N17H 13.04-	【Indonesia】	
	NISSAN MARCH K13X 11.02-	Feb. 2015	Feb. 2015
NISSAN MICRA K13T 10.09-			
K9996 Made in Japan Made in Indonesia	SUZUKI SX4 RW415 06.06-	【Japan】	
		Mar. 2015	Mar. 2015
		【Indonesia】	
		Feb. 2015	Feb. 2015

FEBRUARY NEW Item Drawing Information

BRAKE PAD

 <div style="border: 1px solid black; padding: 5px; margin-top: 10px; display: flex; justify-content: space-between;"> X: 108.9 Y: 39.0 Z: 15.8 </div> <div style="text-align: right; margin-top: 10px;">D5159MH</div>	 <div style="border: 1px solid black; padding: 5px; margin-top: 10px; display: flex; justify-content: space-between;"> X: 160.0 Y: 49.0 Z: 19.3 </div> <div style="text-align: right; margin-top: 10px;">D11341H</div>
 <div style="border: 1px solid black; padding: 5px; margin-top: 10px; display: flex; justify-content: space-between;"> X: 87.1 Y: 48.0 Z: 17.3 </div> <div style="text-align: right; margin-top: 10px;">D11346H</div>	 <div style="border: 1px solid black; padding: 5px; margin-top: 10px; display: flex; justify-content: space-between;"> X: 148.1 Y: 59.8 Z: 18.3 </div> <div style="text-align: right; margin-top: 10px;">D11349MH</div>

BRAKE SHOE

 <table border="1" style="font-size: 8px; margin-top: 5px;"> <tr><th>a</th><th>b</th><th>c</th><th>R</th><th>Shoe Only No.</th></tr> <tr><td>3.6</td><td>1.6</td><td>35.0</td><td>101.6</td><td>M1289</td></tr> </table> <table border="1" style="font-size: 8px; margin-top: 5px;"> <tr><th>a</th><th>b</th><th>c</th><th>R</th><th>Shoe Only No.</th></tr> <tr><td>3.6</td><td>1.6</td><td>35.0</td><td>101.6</td><td>M1290</td></tr> </table> <table border="1" style="font-size: 8px; margin-top: 5px;"> <tr><th>a</th><th>b</th><th>c</th><th>R</th><th>Shoe Only No.</th></tr> <tr><td>3.6</td><td>1.6</td><td>35.0</td><td>101.6</td><td>M1292</td></tr> </table> <table border="1" style="font-size: 8px; margin-top: 5px;"> <tr><th>a</th><th>b</th><th>c</th><th>R</th><th>Shoe Only No.</th></tr> <tr><td>3.6</td><td>1.6</td><td>35.0</td><td>101.6</td><td>M1293</td></tr> </table> <div style="text-align: right; margin-top: 10px;">K1289</div>	a	b	c	R	Shoe Only No.	3.6	1.6	35.0	101.6	M1289	a	b	c	R	Shoe Only No.	3.6	1.6	35.0	101.6	M1290	a	b	c	R	Shoe Only No.	3.6	1.6	35.0	101.6	M1292	a	b	c	R	Shoe Only No.	3.6	1.6	35.0	101.6	M1293	 <table border="1" style="font-size: 8px; margin-top: 5px;"> <tr><th>a</th><th>b</th><th>c</th><th>R</th><th>Shoe Only No.</th></tr> <tr><td>4.0</td><td>2.0</td><td>35.0</td><td>110.0</td><td>M9996</td></tr> </table> <table border="1" style="font-size: 8px; margin-top: 5px;"> <tr><th>a</th><th>b</th><th>c</th><th>R</th><th>Shoe Only No.</th></tr> <tr><td>4.0</td><td>2.0</td><td>35.0</td><td>110.0</td><td>M9997</td></tr> </table> <table border="1" style="font-size: 8px; margin-top: 5px;"> <tr><th>a</th><th>b</th><th>c</th><th>R</th><th>Shoe Only No.</th></tr> <tr><td>4.0</td><td>2.0</td><td>35.0</td><td>110.0</td><td>M9998</td></tr> </table> <div style="text-align: right; margin-top: 10px;">K9996</div>	a	b	c	R	Shoe Only No.	4.0	2.0	35.0	110.0	M9996	a	b	c	R	Shoe Only No.	4.0	2.0	35.0	110.0	M9997	a	b	c	R	Shoe Only No.	4.0	2.0	35.0	110.0	M9998
a	b	c	R	Shoe Only No.																																																																			
3.6	1.6	35.0	101.6	M1289																																																																			
a	b	c	R	Shoe Only No.																																																																			
3.6	1.6	35.0	101.6	M1290																																																																			
a	b	c	R	Shoe Only No.																																																																			
3.6	1.6	35.0	101.6	M1292																																																																			
a	b	c	R	Shoe Only No.																																																																			
3.6	1.6	35.0	101.6	M1293																																																																			
a	b	c	R	Shoe Only No.																																																																			
4.0	2.0	35.0	110.0	M9996																																																																			
a	b	c	R	Shoe Only No.																																																																			
4.0	2.0	35.0	110.0	M9997																																																																			
a	b	c	R	Shoe Only No.																																																																			
4.0	2.0	35.0	110.0	M9998																																																																			

Next coming up information

MK No.
D3163M Made in Indonesia FMSI No. D1728
D5223M Made in Japan
D6154M Made in Japan
D11074 D11074H Made in Indonesia
D11340M D11340MH Made in Indonesia
D11347H Made in Indonesia

"Valuable information" **Interchange information (Existing MK item)**

MK No.	Application	Year
D1286M	E30 VNZE0 (CHN)	2013.10-
D1286M	ROGUE T32D (USA,CAN)	2014.08-
D1286M	X-TRAIL T32 (GEN, LA, MEX, GCC)	2014.04-
D1286M	X-TRAIL T32N (IDN)	2014.09-
D1286M	X-TRAIL T32T, T32L (GEN,THA)	2014.10-
D1312	JUKE F15_NISMO (USA,CAN)	2014.01-
D5066M	ACCORD 4Door 2.4VTI, 2.4 VTIL (FIN,NOR,SWE)	2014
D5168M	FREED G (MLT)	2014
D5168M	JAZZ 5Door 1.3LX, 1.5EX (MLT)	2015
K2329	DYNA WU600, WU650 (GEN,GCC)	2013.12-
K2329	DYNA WU700, WU710, XZU710 (GCC)	2013.12-
K5547	MOBIRIO E, S (IDN)	2014
K5547	JAZZ 5Door S, V (GRC)	2015
K5547	JAZZ 5Door 1.3LX, 1.5EX (MLT)	2015
K5547	JAZZ 5Door (THA)	2015