

MK NEW ITEM / INTERCHANGE NEWS

Date : NOVEMBER 02, 2018

No. 18 - 10

***We will exhibit at AUTOMECHANIKA SHANGHAI 2018
Please visit to MK booth !!***

automechanika

SHANGHAI

Visit us at Hall2 2C79

28.11 – 1.12.2018

National Exhibition and Convention
Center (Shanghai)



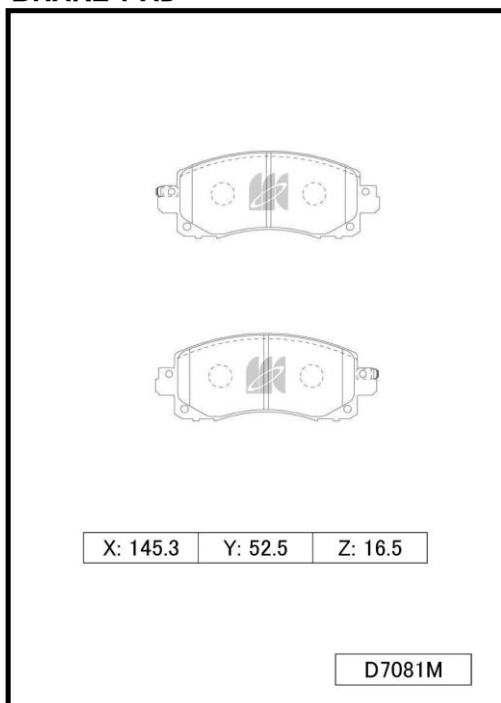
OCTOBER New Item Information

BRAKE PAD

MK No.	Application	Releasing Month (accepting order)	Quotation Month
D7081M Made in Japan FMSI NO. D2045	SUBARU IMPREZA USA 17-	OCT. 2018	OCT. 2018

OCTOBER New Item Drawing Information

BRAKE PAD



"Valuable information"
Interchange information (Existing MK item)

MK No.	Application	Year
D11183MH	BUICK LACROSSE 2.4L,3.0L,3.6L <USA>	2010
D11183MH	BUICK REGAL 2.0L <USA>	2011
D11183MH	BUICK LACROSSE 2.4L,3.0L,3.6L <USA>	2011-2016
D11183MH	BUICK REGAL 2.4L <USA>	2011-2017
D11183MH	CHEVROLET MALIBU 2.0L,2.4L,2.5L <USA>	2013-2016
D11183MH	CHEVROLET MALIBU LIMITED 2.5L <USA>	2016
D11183MH	CHEVROLET EQUINOX 2.4L,3.0L,3.6L <USA>	2010-2017
D11183MH	GMC TERRAIN 2.4L,3.0L,3.6L <USA>	2010-2017
D11183MH	BUICK CASCADA 1.6L <USA>	2016-2018
D11183MH	BUICK LACROSSE 2.4L,3.6L <USA>	2011-2016
D11183MH	BUICK REGAL 2.0L <USA>	2012-2017
D11183MH	CADILLAC ELR 1.4L I4<USA>	2014-2016
D11183MH	CHEVROLET IMPALA 2.4L,2.5L,3.6L <USA>	2014-2018
D11183MH	CHEVROLET MALIBU 2.0L,2.4L,2.5L <USA>	2013-2016
D11183MH	CHEVROLET MALIBU LIMITED 2.5L <USA>	2016
D11305MH	HYUNDAI i30 (1400cc,1600cc) CZECH PLANT <EUR>	2014.11-2017.05
D11305MH	KIA CEE'D (1000cc,1400cc,1600cc) 16INCH DISC <EUR>	2015.05-
D11305MH	KIA CEE'D (1600cc) SLOVAKIA PLANT <GEN>	2015.08-2016.12
D11355MH	HYUNDAI ACCENT,ACCENT BLUE (1400cc,1600cc) RUSSIA PLANT <EUR,GEN>	2017.01-
D11355MH	HYUNDAI SOLARIS (1400cc,1600cc) RUSSIA PLANT <EUR,GEN>	2017.01-
D11355MH	KIA RIO,RIO X-LINE (1400cc,1600cc) <EUR>	2017.06-
D11355MH	KIA STONIC (1000cc,1200cc,1400cc,1600cc) <EUR>	2016.10-
D20061H	LINCOLN MKS 3.5L,3.7L <USA>	2009-2012
D20061H	FORD TAURUS 2.0L,3.5L <USA>	2014-2017
D20061H	FORD TAURUS 3.5L <USA>	2010-2012
D20061H	FORD FLEX 3.5L <USA>	2009-2012
D20061H	FORD EDGE 3.5L,3.7L <USA>	2011-2014
D20062H	LINCOLN MKX 3.7L <USA>	2012-2015
D20062H	LINCOLN MKT 3.5L,3.7L <USA>	2013-2017
D20062H	LINCOLN MKT TOWN CAR 2.0L,3.7L <USA>	2013-2017
D20062H	LINCOLN MKS 3.5L,3.7L <USA>	2012-2016
D20062H	FORD EXPLORER 2.0L,2.3L,3.5L <USA>	2011-2017
D20062H	FORD EDGE 2.0L,3.5L,3.7L <USA>	2012-2014
D20062H	FORD FLEX 3.5L <USA>	2012-2017
D20062H	FORD TAURUS 2.0L,3.5L <USA>	2012-2017
D2329	LEXUS GS ARL10 (2000cc) ,GRL16 (3500cc) <EUR>	2017.09-
D2329	LEXUS GS ARL10 (2000cc) ,GRL16 (3500cc) <GEN,GCC,AUS>	2017.10-
D2329	LEXUS IS ASE30 (2000cc) <CHN>	2017.10-
D2329	LEXUS IS ASE30 (2000cc) ,GSE31 (3500cc) <GEN,AUS,GCC>	2017.10-
D2329	LEXUS IS AVE30 (2500cc) ,ASE30 (2000cc) <EUR>	2017.10-
D2329	LEXUS IS GSE30 (2500cc) ,GSE31,36 (3500cc) <USA,CAN>	2017.10-
D2329	LEXUS RC ASC10 (2000cc) <CHN>	2017.10-
D2329	LEXUS RC ASC10 (2000cc) ,AVC10 (2500cc) ,GSC10 (3500cc) <GEN,AUSGCC>	2017.10-
D2329	LEXUS RC GSC10,15,16 (3500cc) ,ASC10 (2000cc) <USA,CAN>	2017.10-
D2329	LEXUS RX GSC10 (3500cc) ,ASC10 (2000cc) <EUR>	2017.10-
D5070M	ACURA RSX 2.0L BASE <USA>	2002-2006