

**NEW PRODUCTS NP-267**

**New-Era FUEL PUMP**




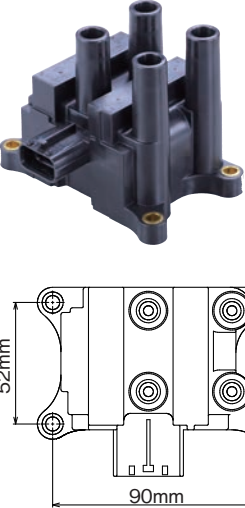
New-Era No.	Ref. No.	Application	On Sale
<b>NFP-100J2</b>	8118-13-350 UNIVERSAL  HEP-02A DFP4100	<b>MAZDA</b>	<b>Aug.'19</b>
Specification		Terminal	Packing
Working voltage: <b>DC12V</b> Operating pressure: <b>0.03 ~ 0.04MPa</b> Work flow: more than or equal to <b>70 l/h</b> Average working current: less than or equal to <b>2.0A</b>			10PCS./CARTON CARTON SIZE: 48×18×18cm (0.0156m <sup>3</sup> ) G/W:5.0kg

<http://www.newera.co.jp/>

**New-Era Co., Ltd.**



# NEW PRODUCT

New-Era No.	Parts No.	Car Maker	Car Model	Model No.	Engine Model	Model Year	On Sale
<b>MIC-T3107</b>  <p>113mm</p> <p>φ23.2mm</p> <p>10PCS./CARTON CARTON SIZE: 44×23×21cm (0.02125m<sup>3</sup>) G/W:5.0kg</p>	90919-02263	<b>TOYOTA</b>	ETIOS LIVA	AK	1NR,2NR	'11~	Sep.'19
			ETIOS CROSS ETIOS	AK AK AK	1NR,2NR 1NR,2NR		
<b>MIC-2040</b>  <p>52mm</p> <p>90mm</p> <p>φ6mm</p> <p>20PCS./CARTON CARTON SIZE: 64×27×21cm (0.03629m<sup>3</sup>) G/W:19.0kg</p>	L813-18-100 0E5G-12029-A	<b>MAZDA</b>	MPV	LW3W	L3	'03~'07	Sep.'19
			MAZDA 6 ATTENZA	GG3P GGEP GGES EP3W	L3 L3 LF LF L3		
		<b>FORD</b>	ESCAPE	EP3WF	L3	'03~	

## INTRODUCING THE NEW NAME OF JAPANESE ERA

The government decided that new name of Japanese era will be Reiwa (令和), when Crown Prince Naruhito accedes to the Imperial Throne on 1-May-2019.

The name is composed of two Chinese characters.

The first rei (令) means “good” or “beautiful”.

The second wa (和) means “harmony” or “peace”.

Prime minister Shinzo Abe said “The era name represents a culture being born and nurtured by people’s hearts coming together beautifully”.

