



MK ITEM / INTERCHANGE NEWS

Date : March 6, 2020
No. 20 - 03

March New Item Information

BRAKE PAD

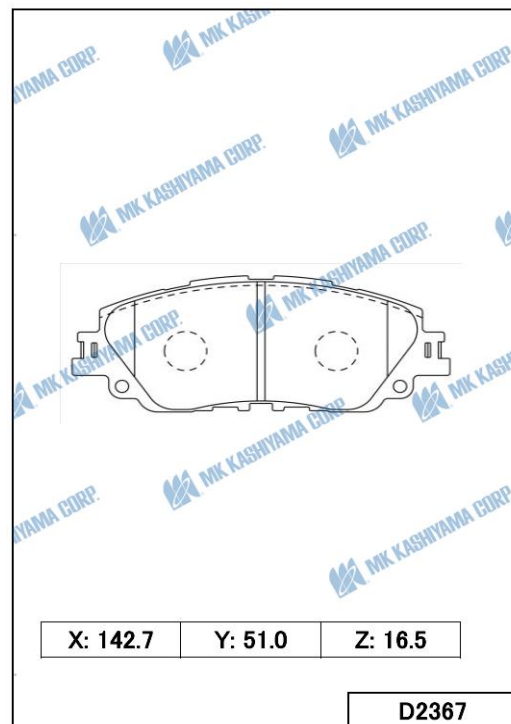
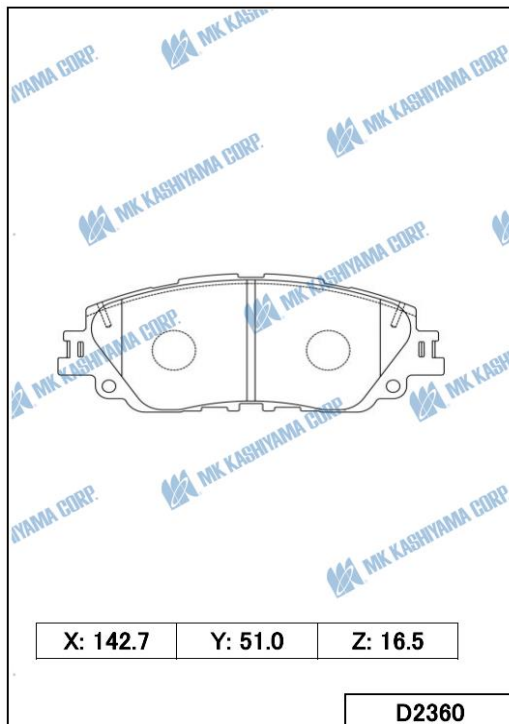
MK No.	Position	Application	Quotation Month
D2360 Made in Indonesia FMSI No D2076	Front	LEXUS ES 2000cc,2500cc,3500cc 17.06- <EUR,USA,CAN> LEXUS UX 2000cc 18.10- <EUR,USA,CAN> TOYOTA AVALON 2500cc,3500cc 18.04- <USA> TOYOTA CAMRY 2000cc,2500cc,3500cc 17.03- <EUR,RUS,USA,CAN> TOYOTA C-HR 2000cc 18.08- <CHN> TOYOTA RAV4 2500cc 18.11- <USA,CAN>	March. 2020
D2367 Made in Indonesia	Front	LEXUS UX 2000cc 18.10- <EUR>	March. 2020
D20067H Made in Indonesia FMSI No D1047	Front	MAZDA TRIBUTE HYBRID 2300cc,2500cc 10.07- <USA> FORD ESCAPE HYBRID 2500cc 10.07- <USA> FORD MAVERICK 2300cc,2500cc,3000cc 07.01- <CHN>	March. 2020
D20158H Made in Indonesia FMSI No D956	Front	CHEVROLET COBALT 2000cc,2200cc,2400cc 05-10 <USA> PONTIAC G5 2200cc,2400cc 07-09 <USA> SATURN ION 2200cc 05-07 <USA>	March. 2020

BRAKE SHOE

MK No.	Position	Application	Quotation Month
K2439 Made in Indonesia	Rear	TOYOTA AGYA,WIGO 1000cc 12.12- <GEN> DAIHATSU AYL A 1000cc 12.12- <IDN>	March. 2020

March New Item Drawing Information

BRAKE PAD

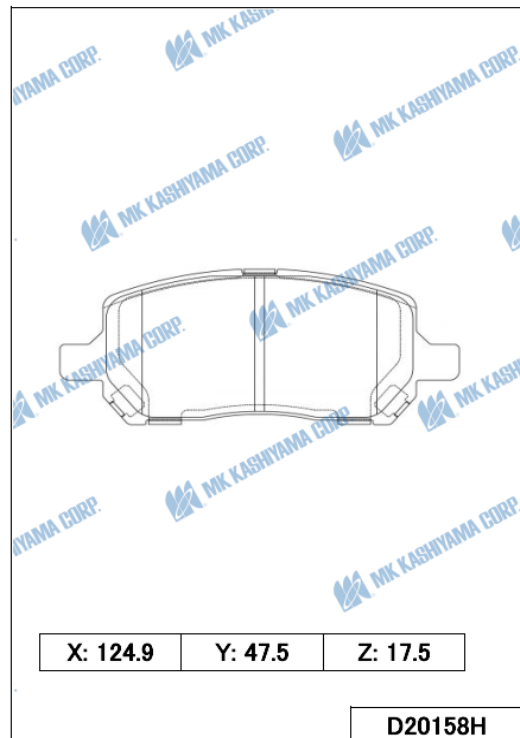
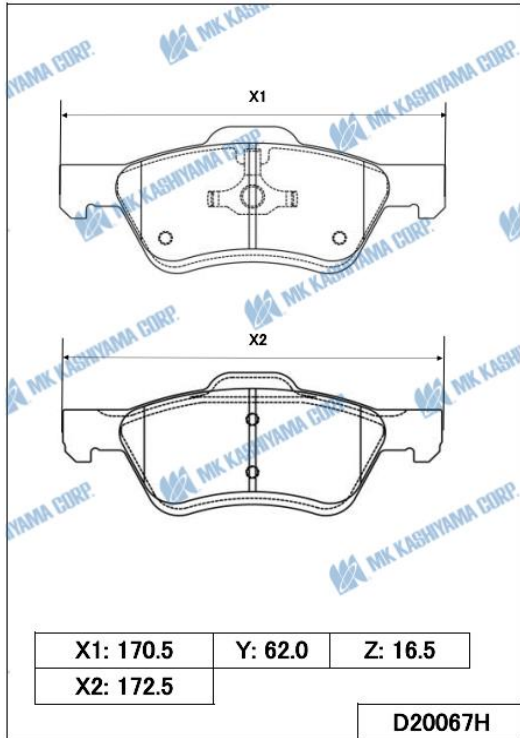




MK ITEM / INTERCHANGE NEWS

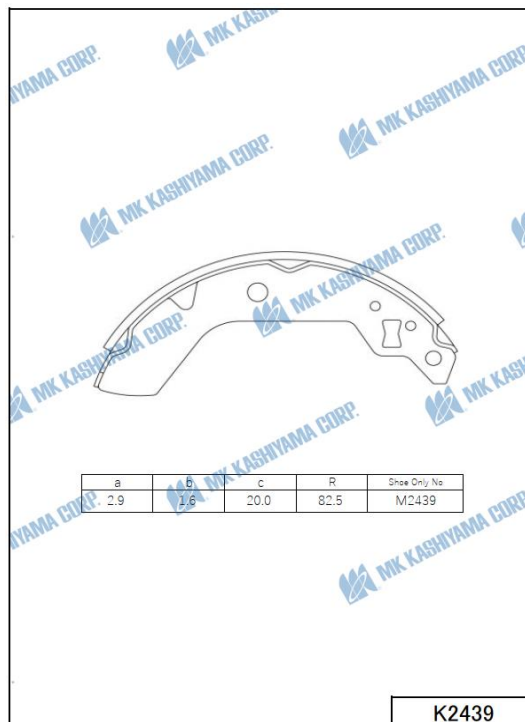
Date : March 6, 2020

No. 20 - 03



March New Item Drawing Information

BRAKE SHOE



"Valuable information" **Interchange information (Existing MK item)**

MK No.	Position	Application	Year
D6017	FRONT	MITSUBISHI COLT C13A,C14A (EUR)	1984.01-1989.02