

MK ITEM / INTERCHANGE NEWS

Date : July 7, 2020
No. 20 - 07

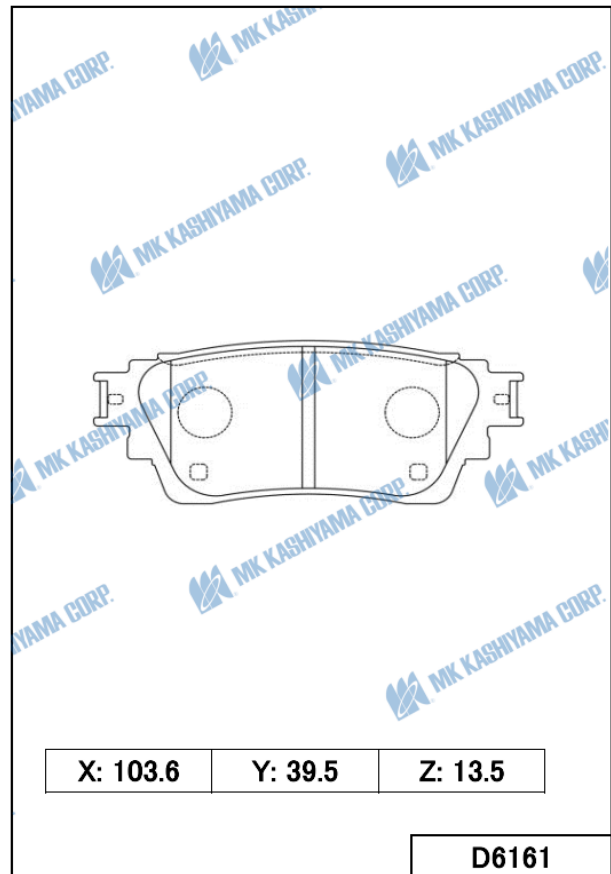
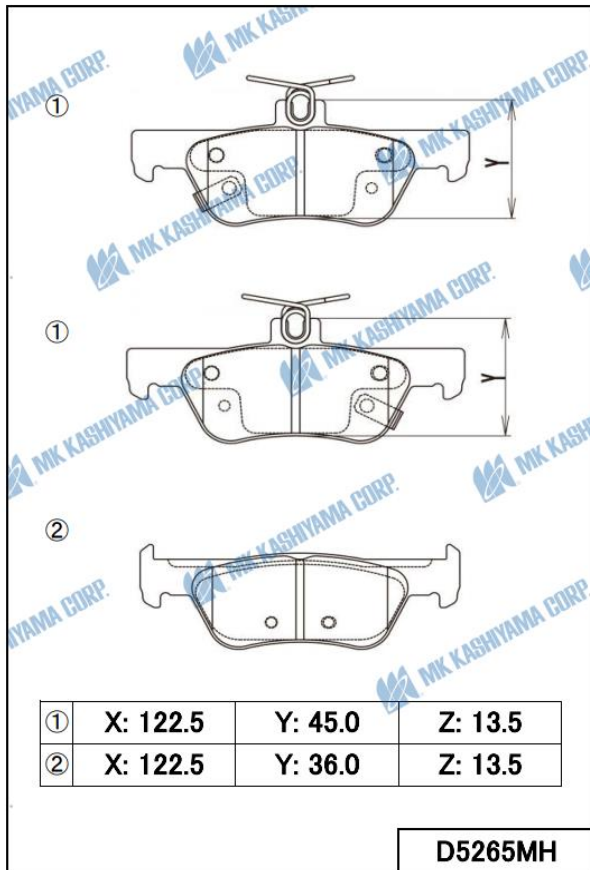
July New Item Information

BRAKE PAD

MK No.	Position	Application	Quotation Month
D5265MH Made in Japan	Rear	Honda FIT.FIT e : HEV 1300/1500cc 20.03- <JPN>	July. 2020
D6161 Made in Japan FMSI N D2135	Rear	Mitsubishi ECLIPSE CROSS 1500cc W/EPB 17.10- <EUR,RUS,USA,CAN,GEN,GCC> Mitsubishi OUTLANDER 2000/2200/2400/3000cc 16.08- <EUR,RUS,USA,CAN,GEN,GCC,CHN>	July. 2020

July New Item Drawing Information

BRAKE PAD



MK ITEM / INTERCHANGE NEWS

Date : July 7, 2020
No. 20 - 07

New Regulation 90 Approval Item (For EU Market)

MK No.	Position	Application	Approval No.
K2240	Rear	Toyota HILUX 1600cc,2000cc,2200cc 78.08-89.12 <EUR>	02B01610/52511
K2259	Front & Rear	Toyota HILUX 1600cc,2000cc 78.08-83.08 <EUR>	02B01610/52511
K2260	Rear	Toyota HILUX 1600cc,1800cc,2000cc 78.08-97.08 <EUR>	02B01610/52511
K4431	Rear	Isuzu TROOPER 960 UBS16, UBS52 -83 <EUR>	02B01610/52514
K2252	Rear	Toyota CROWN LS110, MS111, MS112, MS122, RS110 79.09-01.04 <EUR>	02B01610/52514
K2335	Rear	Toyota HILUX 2500cc 05.07-11.08 <EUR>	02B01610/52514
K2335A	Rear	Toyota PREVIA, TARAGO TCR10, TCR20 94.08-97.07 <EUR>	02B01610/52514
K4435	Rear	Isuzu TROOPER 960 UBS16, UBS52 84- <EUR>	02B01610/52514
K2249	Front	Toyota HILUX 1600cc 78.08-93.07 <EUR>	02B01610/52514
K2256	Front	Toyota HILUX 1600cc,2000cc 78.08-83.08 <EUR>	02B01610/52514
K2363	Rear	Toyota CROWN COMFORT 2000cc LPG 01.08-18.01 <JPN>	02B01610/52514
K2378	Rear	Toyota HIACE 2700cc,3000cc 05.01- <EUR>	02B01610/52514
K2302	Rear	Toyota 4-RUNNER 2400cc 85.08-86.08 <EUR>	02B01610/52515
K2371	Rear	Toyota RAV4 2000cc 00.05-05.11 <EUR>	02B01610/52516
K1198	Rear	Nissan SUNNY Y10 94.10-00.03 <EUR>	02B01610/52516
K2232	Rear	Toyota COROLLA, SPRINTER KE7#, TE7#, AE86 79.08-87.08 <EUR>	02B01610/52516
K2312	Rear	Toyota CAMRY CV20, SV20 SERIES, VZV21 86.10-91.06 <EUR>	02B01610/52516
K2284	Rear	Toyota CELICA AA63, RA63, MA61, RA61 81.08-85.12 <EUR>	02B01610/52516
K1119	Rear	Nissan SKYLINE GC10, GC110, KGC10, KGC110, KPGC10 68.10-72.09 <JPN>	02B01610/52516
K1148	Rear	Nissan BLUEBIRD EL910, KM910 80.01- <EUR>	02B01610/52516
K6626	Rear	Mitsubishi GALANT A16# 81- <EUR>	02B01610/52516
K3342	Rear	Mazda 929, 929L HBEP, BHES, HBPHE, HBSHE 81- <EUR>	02B01610/52516
K5543	Rear	Honda ACCORD 5DOOR 99-02 <EUR>	02B01610/52516
K2404	Rear	Toyota RAV4 ACA20, CLA20, ZCA25 04.02-05.11 <EUR>	02B01610/52516
K3344	Rear	Mazda 626 CA2N, CB2M, CV2V, GB 80-81 <EUR,SWE,UK>	02B01610/52516
K2338	Rear	Toyota CALDINA 2000cc 92.11-02.09 <EUR>	02B01610/52516
K2383	Rear	Toyota YARIS KSP90, 130 05.08-14.07 <EUR>	02B01611/52518
K5547	Rear	Honda CITY 4DOOR 09-17 <EUR,FRA,FRO>	02B01611/52518
K3307	Front & Rear	Mazda 1000, 1300 FA3 73-76 <EUR,SWE>	02B01611/52518
K0041	Rear	Daihatsu MATERIA M412 (1500cc) 06.09-10.09 <EUR>	02B01611/52518
K1267	Rear	Mitsubishi MIRAGE A03A (1200cc), A05A (1000cc) 12.11- <EUR-RHD>	02B01611/52518
K6729	Rear	Mitsubishi Lancer 1600cc 03.09-08.10 <EUR>	02B01611/52518
K7728	Rear	Subaru JUSTY KA#, KD# 87- <EUR>	02B01611/52519
K9938	Rear	Suzuki ALTO 800cc 86.01-88.12 <EUR>	02B01611/52519
K9914	Rear	Suzuki SWIFT, FORSA AA31S, AA41#, AA51#, AB41S, AB51S <EUR>	02B01611/52519
K9927	Rear	Suzuki SWIFT, FORSA AA31S, AA41#, AA51#, AB41S, AB51S <EUR>	02B01611/52519
K0020	Rear	Daihatsu YRV M211 (1300cc 4WD) 00.08-05.08 <EUR>	02B01611/52519
K7730	Rear	Subaru AC5, AC7, AG5, AK7, AN3, 5 84.08- <UK>	02B01611/52519
K11192	Rear	Kia PICANTO 1000cc,1100cc 04.02-10.02 <EUR,CIS>	02B01611/52519
K7734	Rear	Subaru DOMINGO KJ5, KJ6, KJ8, KL6 87- <EUR,UK>	02B01611/52519
K1169	Front	Nissan CEDRIC, GLORIA Y30 83.06-97.08 <JPN>	02B01611/52519
K7711	Rear	Subaru AF5 84.08- <EUR>	02B01611/52519
K0023	Rear	Daihatsu CHARADE G11, G21, G30 83.02-87.02 <EUR>	02B01611/52519
K11186	Rear	Hyundai GETZ 1100cc, 1300cc, 1400cc 02.05-11.01 <EUR,CIS>	02B01611/52519
K2326	Rear	Toyota TERCEL EL31 90.03-90.09 <EUR>	02B01611/52519