

MK KASHIYAMA CORP.

MK ITEM / INTERCHANGE NEWS

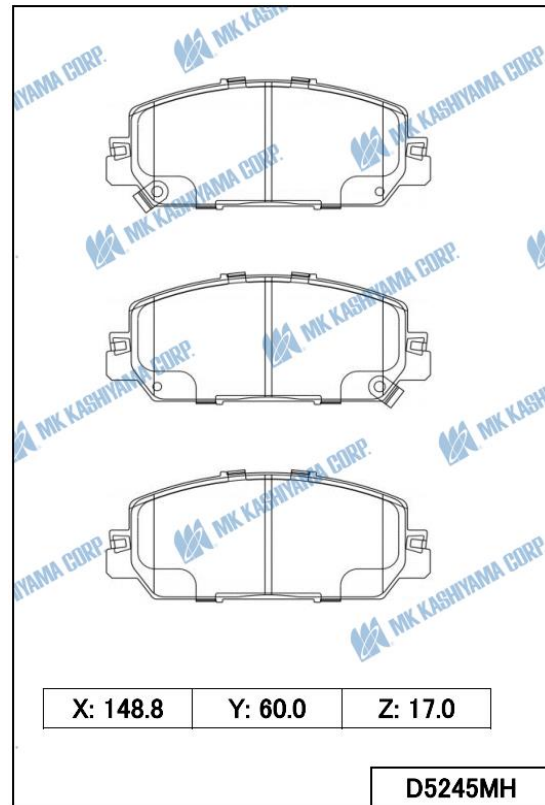
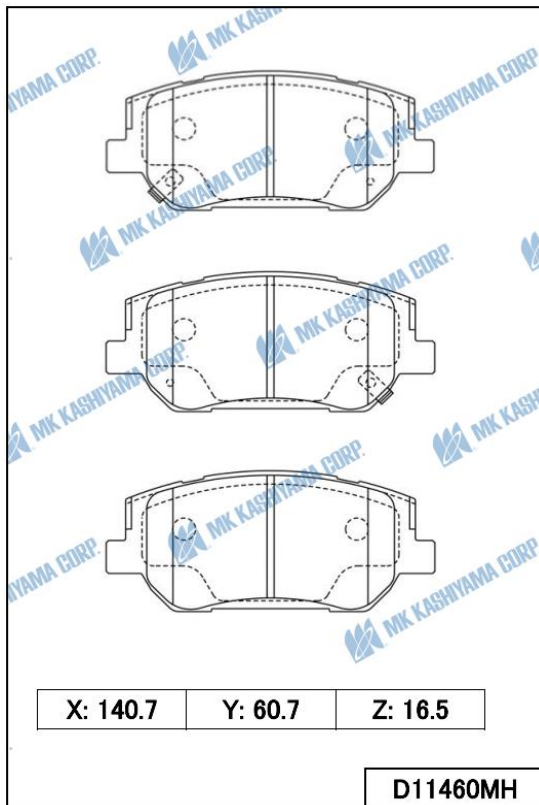
June New Item Information

■ BRAKE PAD

MK No.	Position	Application	Quotation Month
D11460MH Made in Indonesia FMSI No: D2198	Front	Hyundai SATA FE (2000cc,2400cc,3500cc) 2018.06- <USA,CAN,AUS,GEN,ME>	June. 2021
D5245MH Made in Indonesia FMSI No: D2036	Front	Honda CLARITY (ELECTRIC,FUELL CELL,HYBRID) 2017-2019 <USA> Honda CR-V (1500cc,2400cc) 2017- <USA>	June. 2021

June New Item Drawing Information

■ BRAKE PAD



Valuable Information

■ Newly start Product at Indonesia Factory (Existing MK Item)

*D3175MH are available in Indonesia from June order.

■ Interchange Information (Existing MK Item)

MK No.	Position	Application	Year
D6043M	Front	MITSUBISHI GALANT EA2A,EA2W,EA5A,EA5W <EUR,GEN>	1996.10-1997.11
D1099MH	Rear	NISSAN BLUEBIRD 910,U11 <EUR>	1982.01-1990.05
D1063MH	Front	NISSAN PATROL K160,W160 <EUR>	1980.07-1988.08
D0037	Front	DAIHATSU BOON M3#, CUORE L251,L260 <EUR>	2003.03-