

MK KASHIYAMA CORP.

# MK ITEM / INTERCHANGE NEWS

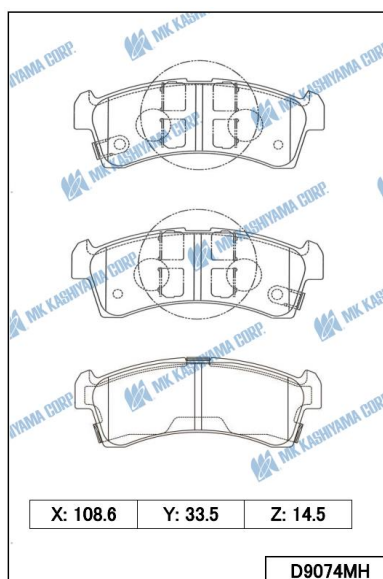
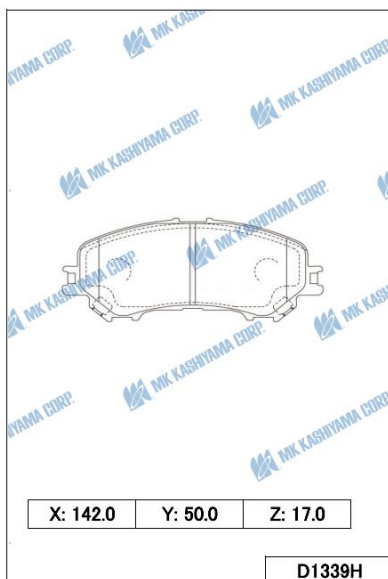
## November New Item Information

### ■ BRAKE PAD

MK No.	Position	Application	Quotation Month
D1339H Made in Indonesia FMSI No: D1737	Front	Nissan QASHQAI J110E,J11E(1200cc,1600cc,2000cc) 13.12- <EUR,CAN,CHN,ZAF,GEN> Nissan X-TRAIL T32,T32Z (2000cc,2500cc) 14.02- <EUR,CHN,LA,GCC,GEN> Nissan ROGUE T32 (2500cc) 13.10- <USA,CAN> Nissan ROGUE SPORT J11 (2000cc) 17.03-- <USA>	November. 2021
D9074MH Made in Indonesia	Front	Suzuki WAGON-R A6A306 (660cc) 17.07- <LKR> Suzuki ALTO HA36S (660cc) 14.12- <JPN> Suzuki HUSTLER MR92S (660cc) 20.01- <JPN> Suzuki SPACIA,SPACIA GEAR MK53S(660cc) 17.12- <JPN> Mazda CAROL HB36S (660cc) 15.01- <JPN> Mazda FLAIR MJ55S,MJ95S(660cc) 17.03- <JPN>	November. 2021

## November New Item Drawing Information

### ■ BRAKE PAD



## Valuable Information

### ■ Newly start Product at Indonesia Factory (Existing MK Item)

D1286M / D1339 / D3144M / D5223M / D9074M are available in Indonesia from November order.

### ■ Interchange Information (Existing MK Item)

MK No.	Position	Application	Year
D11268MH	Front	HYUNDAI VERNA (1400cc,1600cc) <IND>	2011.03-2017.05
D11283MH	Front	HYUNDAI CRETA (1400cc,1500cc) INDIA PLANT <EUR,IND,GEN,ME>	2020.04-
D11355MH	Rear	HYUNDAI CRETA (1400cc,1500cc) INDIA PLANT <EUR,IND,GEN,ME>	2020.04-
D11355MH	Rear	HYUNDAI I20 (1000cc,1200cc,1400cc) <EUR,TUR>	2020.07-
D11355MH	Rear	HYUNDAI I10 (1200cc) <EUR,TUR>	2019.11-
D11352MH	Rear	HYUNDAI KAUAI,KONA (1000cc,1600cc) <EUR>	2020.10-
D11352MH	Rear	HYUNDAI KAUAI,KONA HYBRID (1600cc) <EUR>	2019.05-