

MK KASHIYAMA CORP.

MK ITEM / INTERCHANGE NEWS

May New Item Information

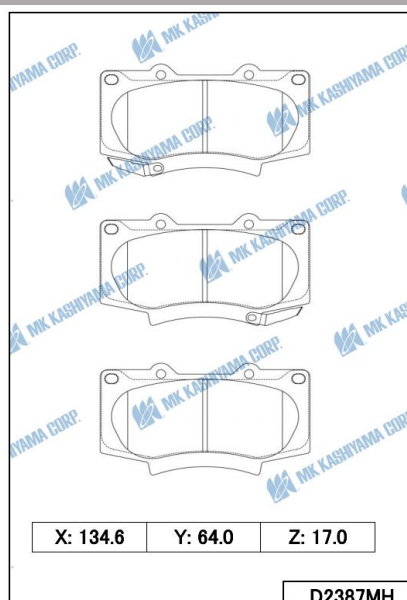
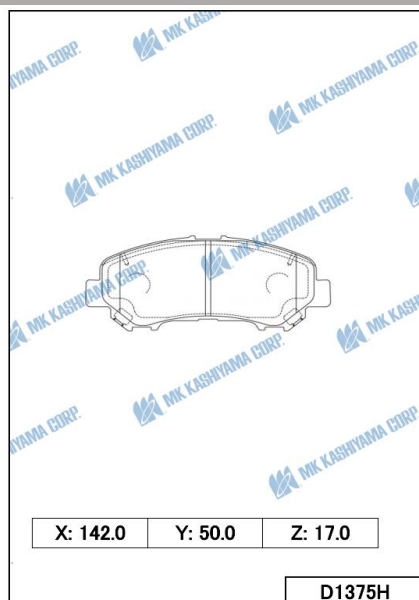
■ BRAKE PAD

MK No.	Position	Application	Quotation Month
D1375H Made in Indonesia FMSI: D2243	Front	Nissan Maxima A36 3500cc 18.10- <USA,CAN>	May. 2022
D2387MH Made in Indonesia	Front	Toyota Fortuner 2400cc,2800cc,4000cc 15.07- <GEN,GCC,THA,PAK,ZAF> Toyota Hilux 2400cc,2800cc,4000cc 15.05- <GEN,GCC,THA,PAK,ZAF>	May. 2022
D9017P Made in Indonesia	Front	Suzuki Carry DA21T,DA21V <EUR,GEN,EGY>	May. 2022
D11487MH Made in Indonesia FMSI: D2285	Front	Hyundai Venue 1600cc 19.11- <EUR,USA,CAN,ME,AUS,GEN> Kia Soul 1600cc,2000cc 18.11- <EUR,USA,ME,GEN>	May. 2022
D11490MH Made in Indonesia FMSI: D2380	Front	Hyundai Santa FE 2200cc,2500cc 20.09- <EUR,RUS,USA,CAN,GEN,ME> Hyundai Santa FE Hybrid 1600cc 20.09- <EURUS,CAN> Kia Sorento 2200cc,2500cc 20.05- <EUR,CIS,USA,CAN,GEN,ME> Kia Sorento Hybrid 1600cc 20.05- <EUR,USA>	May. 2022
D11493MH Made in Indonesia FMSI: D2381	Rear	Hyundai Santa FE 2200cc,2500cc 20.09- <EUR,RUS,USA,CAN,GEN,ME> Hyundai Santa FE Hybrid 1600cc 20.09- <EURUS,CAN> Kia Sorento 2200cc,2500cc 20.05- <EUR,CIS,USA,CAN,GEN,ME> Kia Sorento Hybrid 1600cc 20.05- <EUR,USA>	May. 2022
D11499MH Made in Indonesia FMSI: D2373	Rear	Kia Seltos 1600cc,2000cc W/EPB 19.10- <EUR,CIS,CAN,AUS,GEN>	May. 2022

※"P" means with Retainer

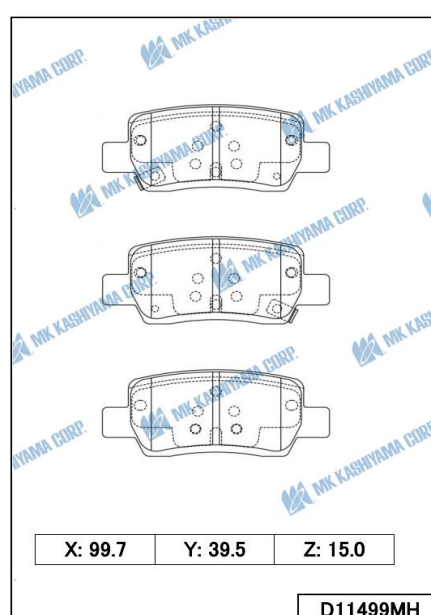
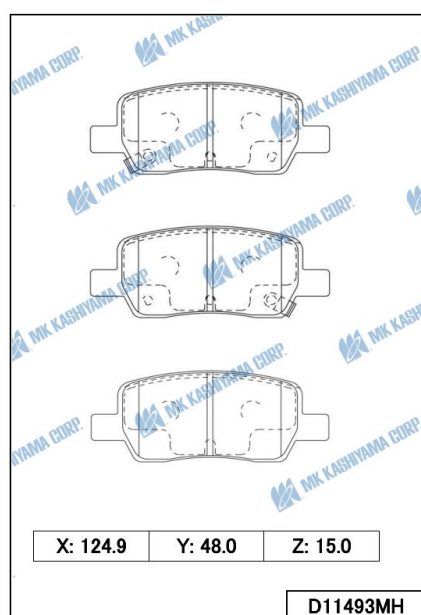
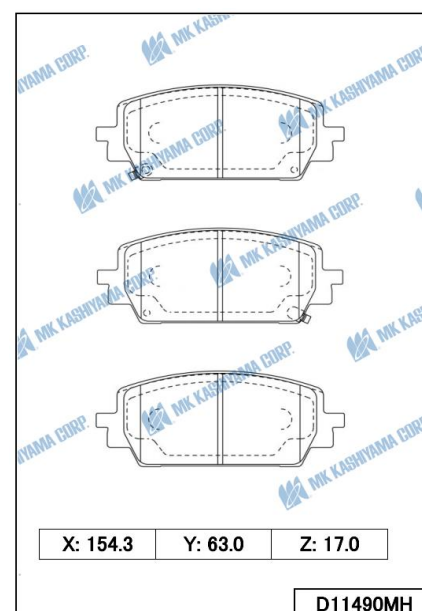
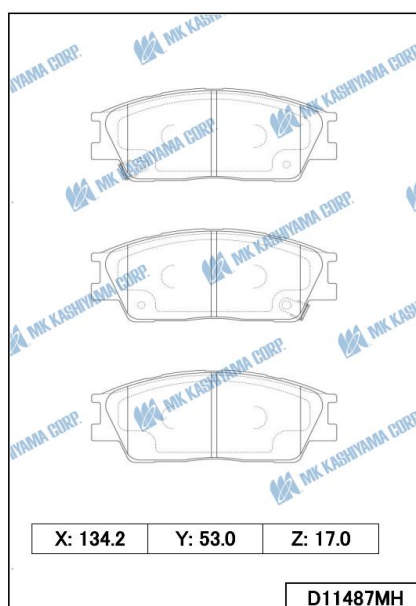
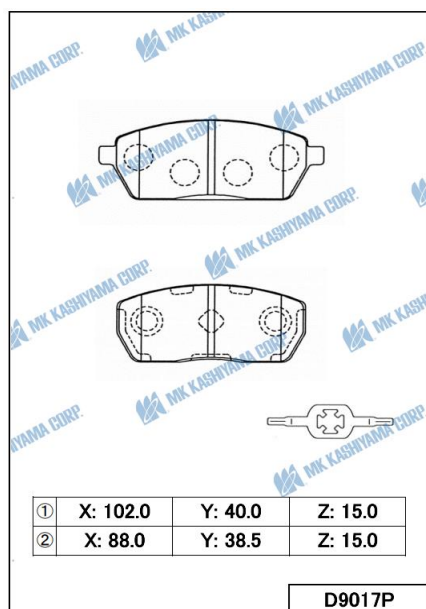
May New Item Drawing Information

■ BRAKE PAD



MK KASHIYAMA CORP.

MK ITEM / INTERCHANGE NEWS



Valuable Information

■ Newly start Products with SHIM (Existing MK Item)

MK No.	Origin	Quotation Month
D0021H	Made in Indonesia	May. 2022
D1148MH	Made in Indonesia	May. 2022
D1167MH	Made in Indonesia	May. 2022
D1185H	Made in Indonesia	May. 2022
D1263MH	Made in Indonesia	May. 2022
D2023H	Made in Indonesia	May. 2022
D2085H	Made in Indonesia	May. 2022
D2204MH	Made in Indonesia	May. 2022
D2302H	Made in Indonesia	May. 2022

MK KASHIYAMA CORP.

MK ITEM / INTERCHANGE NEWS

■ Interchange information (Existing MK item)

MK No.	Position	Application	Year
D5165M	Front	HONDA CIVIC 4DOOR/5DOOR <EUR>	2017-2021
D5165M	Front	HONDA CIVIC 4DOOR/5DOOR <EUR>	2017-2021
D5165M	Front	HONDA CIVIC 5DOOR, CIVIC TOURER <EUR,AUS,PUT,ZAF>	2012-2018
D1286M	Rear	NISSAN MURANO Z52 (3500cc) <USA,CAN,MEX,GCC,CHN,TWN,KOR>	2019.08-
D1316MH	Front	NISSAN SENTRA B17U (1800cc) <USA,CAN>	2019.01-
D1370H	Rear	NISSAN PATHFINDER R53 (3500cc) <EUR,USA,CAN,GEN,MEX,LA,AUS,GCC>	2021.03-
D3155H	Front	MAZDA CX-5 (2000cc,2500cc) <USA>	2014-2017
D3156	Rear	MAZDA CX-5 (2000cc,2500cc) <USA>	2014-2015
D3159H	Front	MAZDA 6 SEDAN (2500cc) <USA>	2014-2020
D3163MH	Front	MAZDA 3 SEDAN/HATCHBACK (2000cc,2500cc) <USA>	2014-2018
D3166M	Rear	MAZDA 3 SEDAN/HATCHBACK (2000cc,2500cc) <USA>	2014-2018
D3172MH	Rear	MAZDA 6 SEDAN (2500cc) <USA>	2014-2020
D3175MH	Rear	MAZDA 3 SEDAN/HATCHBACK (2000cc,2500cc) <USA>	2017-2018
K4452	Rear	ISUZU PANTHER, CHEVROLET TAVERA (2500cc) <IDN>	2001.07- 2002.04
K4452	Rear	ISUZU PANTHER, CHEVROLET TAVERA (2500cc) <IDN>	2001.07- 2002.04
K4458	Front/Rear	ISUZU ASTRA MOTOR ELF NPS (4777cc) <IDN>	2019-
K4460	Front/Rear	ISUZU ASTRA MOTOR ELF NHR (2771cc) <IDN>	2003-2005
K4460	Front/Rear	ISUZU ASTRA MOTOR ELF NHR (2771cc) <IDN>	2003-2005
K4473	Rear	ISUZU ASTRA MOTOR D-MAX, MU-X (1900cc,2500cc,3000cc) <IDN>	2012.06-

Announcement

■ Changed sets/carton Items (Existing MK Item)

Since starting or planning to start with SHIM products, inner box size will be bigger than before for fit with SHIM products.

This is why sets/carton of without SHIM products also changed.

Below products will be changed from June order (End of September shipment).

<From June Order>

MK No.	Previous	Present	Origin
D6043M	18 sets/ctn	12 sets/ctn	Made in Japan / Made in Indonesia
D6033	10 sets/ctn	5 sets/ctn	Made in Japan
D2155	18 sets/ctn	13 sets/ctn	Made in Indonesia
D2087	18 sets/ctn	13 sets/ctn	Made in Japan / Made in Indonesia
D11124M	15 sets/ctn	12 sets/ctn	Made in Indonesia
D11125	15 sets/ctn	12 sets/ctn	Made in Indonesia

■ Lining length cahnge Item (Existing MK Item)

K1163 - Lining length 219.0 mm → 210.0 mm. It has been applied since December 2021 your orders.

K2249 - Lining length 234.0 mm → 231.0 mm. It has been applied since April 2022 your orders.