

MK ITEM / INTERCHANGE NEWS

May New Item Information

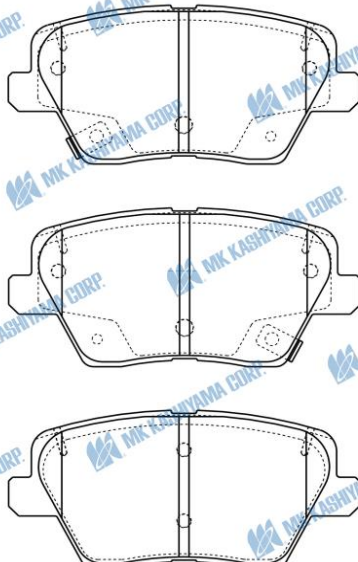
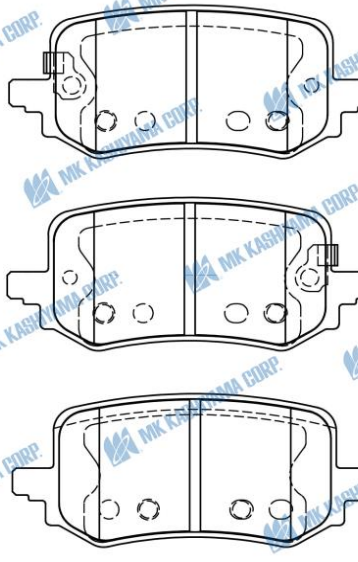
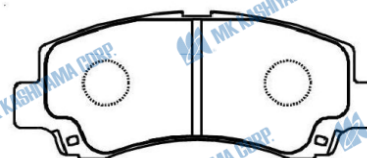
■ BRAKE PAD

MK No.	Position	Application	Quotation Month
D11436MH Made in Indonesia FMSI:	Rear	Hyundai I30 W/O EPB(1000cc,1400cc,1600cc) 16.11- <EUR,RUS> Kia Ceed W/O EPB (1000cc,1400cc,1600cc) 18.03- <EUR,CIS>	May, 2023
D11518MH Made in Indonesia FMSI:	Rear	Hyundai Tucson W/ EPB(1600cc,2000cc,2500cc) 20.06- <EUR,ME,GEN> Hyundai Tucson Hybrid (1600cc) 20.12- <EUR,ME,GEN>	May, 2023
D11530 Made in Indonesia FMSI:	Front	Changan Karavaan MPV (1000cc) <PAK>	May, 2023
D2394MH Made in Indonesia FMSI:	Rear	Toyota Corolla (1500cc,1600cc,1800cc) 19.01- <EUR,GEN,GCC,THA,PHL> Toyota Yaris (1500cc 2WD) 21.07- <EUR>	May, 2023
D2394MHP Made in Indonesia FMSI:	Rear	Toyota Corolla (1500cc,1600cc,1800cc) 19.01- <EUR,GEN,GCC,THA,PHL> Toyota Yaris (1500cc 2WD) 21.07- <EUR>	May, 2023

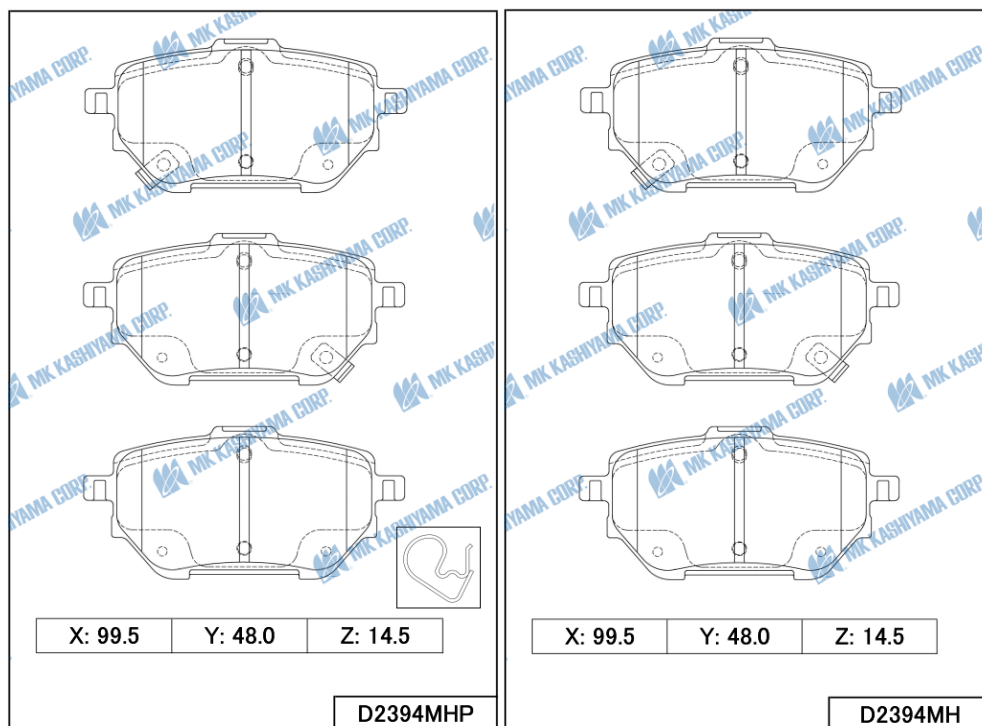
* "P" means with Spring

May New Item Drawing Information

■ BRAKE PAD

 <p>X: 104.6 Y: 45.5 Z: 15.0</p> <p>D11436MH</p>	 <p>X: 102.0 Y: 41.5 Z: 16.5</p> <p>D11518MH</p>	 <p>X: 120.4 Y: 42.0 Z: 15.0</p> <p>D11530</p>
---	---	---

MK ITEM / INTERCHANGE NEWS



Valuable Information

■ Newly start Products with SHIM (Existing MK Item)

MK No.	Origin	Quotation Month
D2218H	Made in Indonesia	May, 2023
D2231H	Made in Indonesia	May, 2023

■ Interchange information (Existing MK item)

MK No.	Position	Application	Year
D11448MH	FRONT	HYUNDAI KAUAI N/KONA N (2000cc) <EUR,USA,CAN,AUS,ME>	2021.05-
D11472MH	REAR	HYUNDAI KAUAI N/KONA N (2000cc) <EUR,USA,CAN,AUS,ME>	2021.05-
D11472MH	REAR	HYUNDAI i30 N (2000cc) <EUR,GEN,AUS>	2021.03-
D11484MH	REAR	HYUNDAI TUCSON (1600cc,2000cc,2500cc) <EUR,RUS,GEN,AUS>	2021.01-
D11484MH	REAR	HYUNDAI TUCSON (1600cc,2000cc,2500cc) <USA,CAN,GEN>	2021.01-
D11490MH	FRONT	HYUNDAI SANTA FE (2200cc,2500cc,3500cc) <AUS,ME>	2022.01-
D2375MH	REAR	TOYOTA COROLLA (1200cc,1500cc,1600cc,1800cc,2000cc) <EUR,RUS,GEN-LHD>	2021.04-
D9066M	REAR	SUZUKI SX4 S-CROSS (1400cc,1500cc) <DEU,RUS,UK,AUS,ISR,SGP,TWN>	2021.04-